



FLO Home™ X6 and FLO Home™ X8

Installation Guide

Table of Contents


1. INSTRUCTIONS PERTAINING TO A RISK OF FIRE OR ELECTRIC SHOCK	6
2. Important Safety Instructions	8
2.1. General Safety Instructions	8
2.2. Safety Instructions for Hardwired Units	10
2.3. Safety Instructions for Plug-In Models	10
2.4. Safety Instructions for Units with NEMA Plugs	12
2.5. Safety Symbols on your Product	13
3. Introduction	14
3.1. About the FLO Home	14
3.2. About the Installation Guide	14
4. Certifications and Conformities	15
4.1. Safety Certifications	15
4.2. Compliance	15
4.3. Radio Frequency Regulations	15
4.4. Energy Efficiency Certification	16
5. Getting Started	16
5.1. MOVING AND STORAGE INSTRUCTIONS	16
5.2. Box Contents	17
5.3. Main Components	21
5.3.1. FLO Home Exterior Components	21
5.3.2. FLO Home Interior Components	22
5.4. Recommended Tools and Material	23
5.5. Electrical Considerations	26


5.6. Electrical Specifications	27
5.6.1. For 50 A Charging Stations - FLO Home X6	27
5.6.2. For 80 A Charging Stations - FLO Home X8	27
5.7. General Specifications	29
5.8. Charging Station Location	32
5.9. Positioning	34
5.9.1. Hardwired Charging Stations - Rear and Bottom Entry	35
5.9.2. Plug-In Charging Stations	36
6. INSTALLATION INSTRUCTIONS	37
6.1. Mounting a Hardwired Charging Station	37
6.2. Circuit Consideration	42
6.3. Connecting the Wiring	45
6.3.1. Grounding Instructions for Products with a Permanent Power Con- nection	46
6.4. Closing the FLO Home X6 and FLO Home X8 Enclosure	47
6.5. Installing a Plug-In Charging Station	49
6.5.1. Mounting the Charging Station	49
6.5.2. Grounding Instructions for a Permanently Connected Product	51
6.5.3. Hardwiring a NEMA Unit	52
6.6. Setting the Current Limit	53
6.7. Installing the Cable and Connector Holster at a Remote Location	56
6.7.1. Detaching the Holster from the Charging Station	56
6.7.2. Mounting the Holster	58
6.8. Connecting the FLO Home to the Internet	60
6.9. Installing More than One Charging Station	62



6.9.1. Installing Charging Stations on their own Dedicated Circuit Breakers ..	62
6.9.2. Mounting Several Charging Stations on One Breaker	63
6.10. Daisy Chaining the Charging Stations	64
7. OPERATING INSTRUCTIONS	69
8. Charger Status Light Indicators	70
8.1. Charger Status Lights - Common Statuses	70
8.2. Charger Status Lights - Auxiliary Statuses	71
8.3. Charger Connectivity Status Light	73
1. Service and Support	74
1.1. Locating the Charging Station Serial Number	74
2. USER MAINTENANCE INSTRUCTIONS	75
3. FCC Statement - For USA Only	76
3.1. Supplier's Declaration of Conformity 47 CFR 2.1077 Compliance Inform- ation	77
4. Industry Canada Compliance - For Canada Only	78
5. FLO Limited Warranty on FLO Home Products	78
5.1. FLO HOME LIMITED WARRANTY TERMS AND CONDITIONS - United States ..	79
5.2. FLO HOME LIMITED WARRANTY TERMS AND CONDITIONS - Canada	85
6. Copyright and Liability	91

1. INSTRUCTIONS PERTAINING TO A RISK OF FIRE OR ELECTRIC SHOCK

IMPORTANT SAFETY INSTRUCTIONS. SAVE THESE INSTRUCTIONS.

	<p>WARNING – When using electric products, basic precautions should always be followed, including the following. This manual contains important instructions for all FLO Home™ X6 and FLO Home™ X8 models that shall be followed during installation, operation, and maintenance of the unit.</p>
---	--

	<p>CAUTION for the FLO Home X6 and FLO Home X8 - To reduce the risk of fire, connect only to a circuit provided with the circuit protection shown in Circuit Consideration on page 42 as a maximum branch circuit over current protection in accordance with the Canadian Electrical Code CSA C22.1 and National Electrical Code ANSI/NFPA 70.</p>
--	---

	
---	---

NOTE: The symbols in the table above apply to all the items in the list below.

1. Read all the instructions before using this product.
2. This device should be supervised when used around children.
3. Do not put fingers into the electric vehicle connector.
4. Do not use this product if the flexible power cord or Electric Vehicle (EV) cable is frayed, has broken insulation, or any other signs of damage.

5. Do not use this product if the enclosure or the electric vehicle connector is broken, cracked, open, or shows any other indication of damage.
6. Do not operate device outside of the operating temperature range: -40 °F to 122 °F (-40 °C to 50 °C).
7. Installation, removal, and handling activities must be conducted by qualified personnel in accordance with the applicable local rules. Alteration, disassembly or reparation must be conducted by an authorized service provider of FLO unless FLO has authorized in writing that specific alteration, disassembly or repair may be carried out by a licensed electrician instead of an authorized service provider.
8. Communicate with a licensed electrician to ensure compliance with the local building code, regulation, security standards and weather conditions.
9. Verify with local authorities that the location where the charging station is going to be installed is free from underground pipelines or electrical equipment, otherwise you might inflict serious injuries on yourself and others.
10. DO NOT INSTALL THE CHARGING STATION ON OR OVER COMBUSTIBLE SURFACES.
11. The installation shall not be made in a commercial garage (repair facility) or closer than 20 feet (6.1 m) of an outdoor motor fuel dispensing device.
12. Ensure compliance to specific bonding/grounding instructions for the FLO Home X6 and FLO Home X8. Refer to the [INSTALLATION INSTRUCTIONS on page 37](#) which contain important grounding instructions.
13. Do not install the charging station in a hazardous location.
14. Use input wires rated at 90°C.

2. Important Safety Instructions

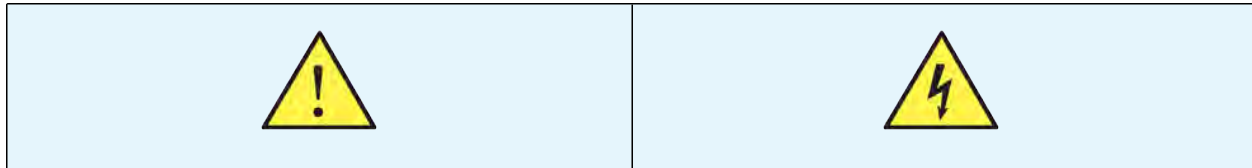
IMPORTANT SAFETY INSTRUCTIONS. SAVE THESE INSTRUCTIONS.

Read all the instructions before using this product.

Please keep up to date instructions throughout the product life cycle, by consulting the FLO website and printing the latest version of the document, if necessary.

This document provides instructions to install the FLO Home™ X6 and FLO Home™ X8 charging station and should not be used for any other product.

2.1. General Safety Instructions



NOTE: The symbols in the table above apply to all the items in the list below.

1. Perform a hazard assessment prior to performing any activities and use adequate personal protective equipment.
2. Before installing the FLO Home charging station, review this guide carefully and consult with a licensed electrician to ensure compliance with local jurisdiction, safety standards and applicable codes.
3. Under no circumstances will compliance with the information in this manual relieve the user of their responsibility to comply with all applicable codes or safety standards.
4. Reasonable efforts have been made to ensure that the specifications and other information contained in this guide are accurate and complete at the time of publication. However, specifications and other information contained in this manual are subject to change at any time without notice.
5. FLO cannot be held responsible for any damage that may occur resulting from custom installations not described in this document.


6. If, for any reason, it is not possible to install the FLO Home according to the procedures provided in this guide, the installer should contact the FLO team.
7. The warranty will be voided if the charging station has been altered, disassembled or repaired by any person other than an authorized service provider from FLO, unless FLO has authorized in writing that such alteration, dis-assembly or repair may be carried out by a licensed electrician instead of an authorized service provider.
8. Handle parts with care. Always use safety glasses and protection gloves when unpacking and installing the FLO Home.
9. Avoid installing the charging station in bad weather conditions to prevent ingress of moisture or debris.
10. During maintenance or service, ensure that the upstream disconnect is in the open position and follows workplace electrical safety procedures, as required by the local jurisdiction.
11. This charging station has been designed to be mounted on a wall or on a pedestal.
12. Ensure that the wall or pedestal mounting surface is strong enough to support the weight of the charging station, and that the anchors and/or screws used are compatible with the surface.
13. The input cable strain relief, conduits or armed-cable bushings and adapter must be:
 - a. Certified for both Canada and USA.
 - b. Watertight (4X enclosure type).
 - c. Suitable for the outside diameter of the chosen cable.
 - d. Suitable for mounting into an opening size of 1" (25 mm) NPT when used on the FLO Home X6 or FLO Home X8.
14. This charging station is not intended to be used with connector adapters other than those supported by the Original Equipment Manufacturer (OEM) of the vehicle being charged.

2.2. Safety Instructions for Hardwired Units

Follow the safety instructions below for the hardwired units below:

1. Connect the charging station with the proper caliber of conductors. Refer to [Connecting the Wiring on page 45](#) for more information.
2. GROUNDING INSTRUCTIONS - This product must be connected to a grounded, metal, permanent wiring system, or an equipment-grounding conductor must be run with the circuit conductors and connected to the equipment grounding terminal and installed by a certified electrician.
3. The power supply cables of the charging station must be rated FT2 minimum.
4. The input cable strain relief, conduits, armed-cable bushings or adapter must be certified for both Canada and USA.

2.3. Safety Instructions for Plug-In Models

	An incorrect connection of the power cable may result in electric shock..
---	---

The plug-in charging station must comply with the following safety instructions:

1. Contact a licensed electrician to ensure compliance of any existing or future installations with local building codes, regulations and safety standards.
2. GROUNDING INSTRUCTIONS - This product must be connected to a grounded wiring system, metallic or permanent, or a device grounding conductor must be added to the circuit and connected to the device ground terminal and installed by a licensed electrician.
3. Do not unplug the charging station while charging.
4. Always disconnect the power supply to the charging station before carrying out any maintenance work.

5. Connect the charging station with the correct conductor gauge. Refer to [Connecting the Wiring on page 45](#) for more information.
6. This product must be connected to a permanent, metallic, grounded wiring system, or an equipment-grounding conductor must be placed with the circuit conductors and connected to the equipment-grounding terminal and installed by a licensed electrician.
7. Charging station power cables must be at least FT2 type.
8. The input cable strain relief, conduit, armored grommet and adapter must be certified for Canada and the USA.

2.4. Safety Instructions for Units with NEMA Plugs










Improper connection of the power supply cable can result in a risk of electric shock.

The charging station used with a NEMA power outlet must comply to the following safety instructions:

1. Communicate with a licensed electrician to ensure compliance with local building codes, regulations, security standards and weather conditions.
2. Ensure compliance to specific bonding/grounding instructions for the FLO Home X6 and FLO Home X8. Refer to the [INSTALLATION INSTRUCTIONS on page 37](#) which contain important grounding instructions.
3. Do not modify the NEMA plug supplied with the charger.
4. Do not unplug the charging station during charging.
5. Always disconnect the power supply of the charging before servicing.
6. Communicate with a licensed electrician to ensure that the power outlet to be used in conjunction with the charging station:
 - Complies with EV charging requirements.
 - Complies with local jurisdiction.
 - Has a dedicated circuit breaker and appropriately dimensioned electrical wiring.

2.5. Safety Symbols on your Product

The symbols in the table below may be present on your charging station and in this guide. Please refer to the table below for information on the symbols.

Symbol	Description
	Alternating current
	Phase
	CAUTION: This symbol is used to provide awareness of important safety information in these instructions
	WARNING: This symbol is used to provide warning of hazardous voltage and possibility of electric shock
	Earth "ground" terminal
	Protective (earth) ground Class 1
	Chassis

3. Introduction

3.1. About the FLO Home

The FLO Home is a robust and long lasting home charging station that allows a convenient and secure Electric Vehicle (EV) charging experience at home.

The FLO app makes it easy to schedule charging sessions or block off no-service time, benefit from the most attractive energy rates and monitor charging sessions.

3.2. About the Installation Guide

The *FLO Home™ Installation Guide* covers the FLO Home X6 and FLO Home X8 and their components and should be used as instructions for the installation of the FLO Home.

This guide is subject to updates. FLO recommends consulting the *Products* section of FLO web site (www.flo.com) to get the most up to date version of the installation guide. Please refer to the most up to date version of the installation guide online for up to date instructions.

NOTE: A warranty policy is included in this guide. The warranty policy that applies on your purchase is the one in effect at the time of purchase.

4. Certifications and Conformities

The products covered by this guide follow industry standards and are compliant with the standards and certifications detailed in the sections below:



4.1. Safety Certifications

- CSA C22.2 No. 281.1/UL 2231-1 Standard for safety for personnel protection systems for electrical vehicle.
- CSA C22.2 No. 281.2/UL 2231-2 Standard for safety for personnel protection systems for electric vehicle (EV) supply circuits: Requirements for protection devices for use in charging systems.
- CSA C22.2 No. 280/UL 2594 Electric vehicle supply equipment (EVSE).
- UL 1998 Standard for software in programmable components.
- UL 991 Standard for Tests for Safety-Related Controls Employing Solid-State Devices.

4.2. Compliance

- NEC 2023 article 625.
- CSA C22.1 Canadian electric code.

4.3. Radio Frequency Regulations

- CAN ICES-003 (B)/NMB-003(B)
- FCC 47 CFR part 15

4.4. Energy Efficiency Certification

The products covered by this guide are ENERGY STAR® certified.

5. Getting Started

Use the information in the sections below to help you prepare for the FLO Home installation before getting started.

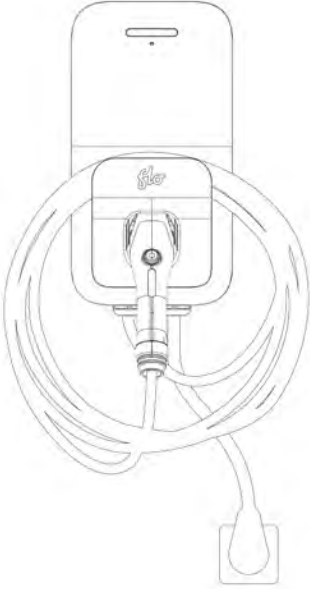
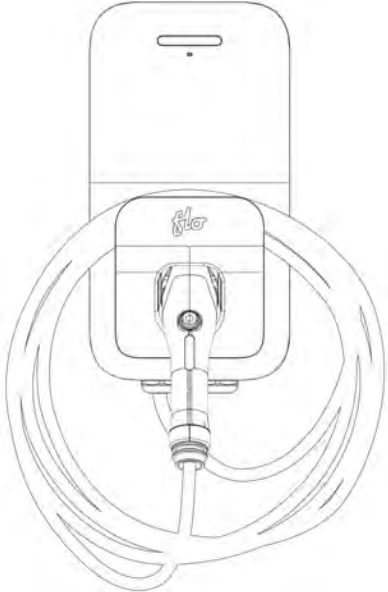
5.1. MOVING AND STORAGE INSTRUCTIONS

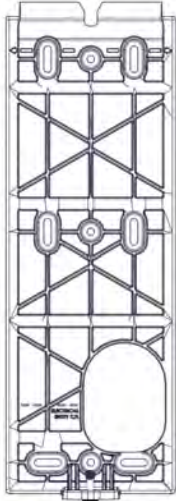

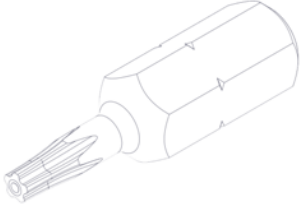
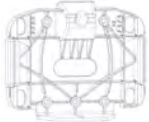

The charging station must be moved and stored according to the following instructions:

- The charging station is designed for permanent installation and not intended for portable utilization.
- Move the station carefully in order to ensure safety.
- During storage, the station should be kept in its shipping packaging at a temperature within the -40 °F to 140 °F (-40 °C to 60 °C) range, and humidity not exceeding 95% (non-condensing), until it is installed by qualified personnel.

5.2. Box Contents

The table below shows the box contents as they are delivered in the shipping box.

Item	Image
<p>FLO Home X6 charging station with a NEMA plug (plug-in option) or without a charging cable (hardwired option)</p>	
<p>OR</p>	
<p>FLO Home X8 charging station without charging cable (hardwired option)</p>	

Item	Image
Wall mounting plate	
Wall mounting plate lower security screw	
Screwdriver bit for safety screw	
Deported holster wall support	
FLO branded cover pad	

Item	Image																	
<p>Cardboard cover for side-entry drilling</p>	<p>Couvert de carton pour perçage de trous latéraux Cardboard cover for side entry drilling</p> <p>Utilisez ce couvert lors des étapes de perçage de trous latéraux sur la FLO Maison™ X6 ou FLO Maison X8. Voir les instructions dans le Guide d'installation FLO Maison™ série X6 et X8 sous la section Connexion en série des bornes de recharge.</p> <p>Use this cover when drilling side entry holes on the FLO Home™ X6 or FLO Home X8 charging stations. Full instructions are available in the FLO Home™ Series X6 and X8 Installation Guide under the Daisy Chaining the Charging Stations section.</p> <p>FR1846102</p>																	
<p>Amperage identification labels</p>	<table border="1"> <tr> <td></td> <td>flo Borne de recharge VE</td> <td>flo EV charging station</td> </tr> <tr> <td>X3</td> <td>16A</td> <td>24A</td> <td>50A</td> </tr> <tr> <td>X6</td> <td>6A</td> <td>32A</td> <td>40A</td> <td>48A</td> </tr> <tr> <td>X8</td> <td>56A</td> <td>64A</td> <td>72A</td> <td>80A</td> </tr> </table> <p>© 2024 Services FLO Inc. All rights reserved. © 2024 Services FLO Inc. Tous droits réservés. © 2024 FLO Services USA Inc. All rights reserved. FLO19185</p>		flo Borne de recharge VE	flo EV charging station	X3	16A	24A	50A	X6	6A	32A	40A	48A	X8	56A	64A	72A	80A
	flo Borne de recharge VE	flo EV charging station																
X3	16A	24A	50A															
X6	6A	32A	40A	48A														
X8	56A	64A	72A	80A														
<p>FLO Home X6 Installation Guide</p>	<p>FLO Home™ X6 and FLO Home™ X8 Installation Guide</p>																	

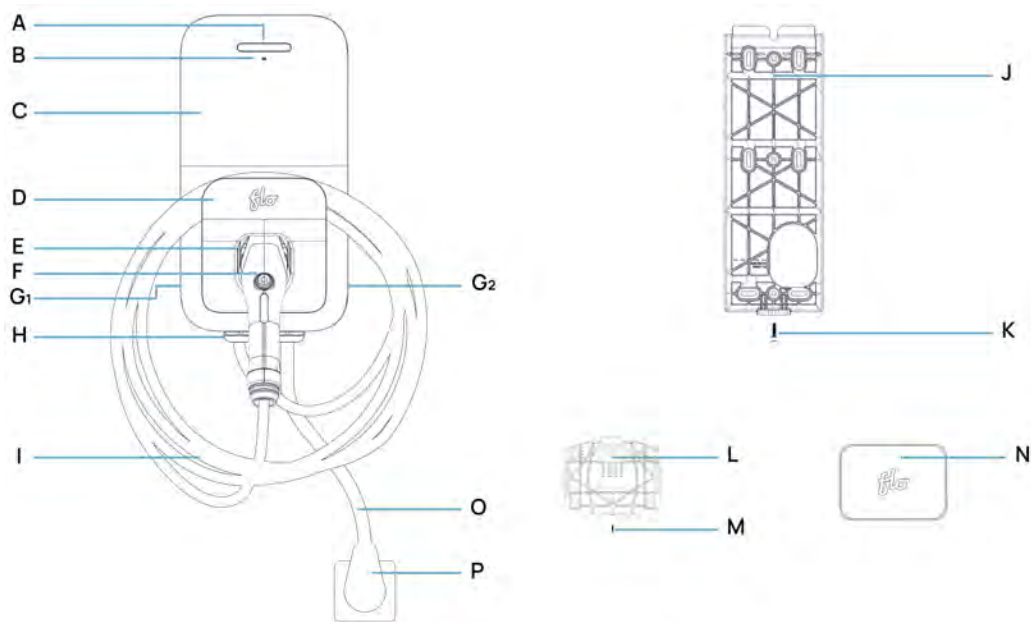
Item	Image
<p>Important information document</p>	

5.3. Main Components

The following sections show the main components for of the FLO Home X6 and FLO Home X8.

5.3.1. FLO Home Exterior Components

The FLO Home X6 and FLO Home X8 include the following exterior components:

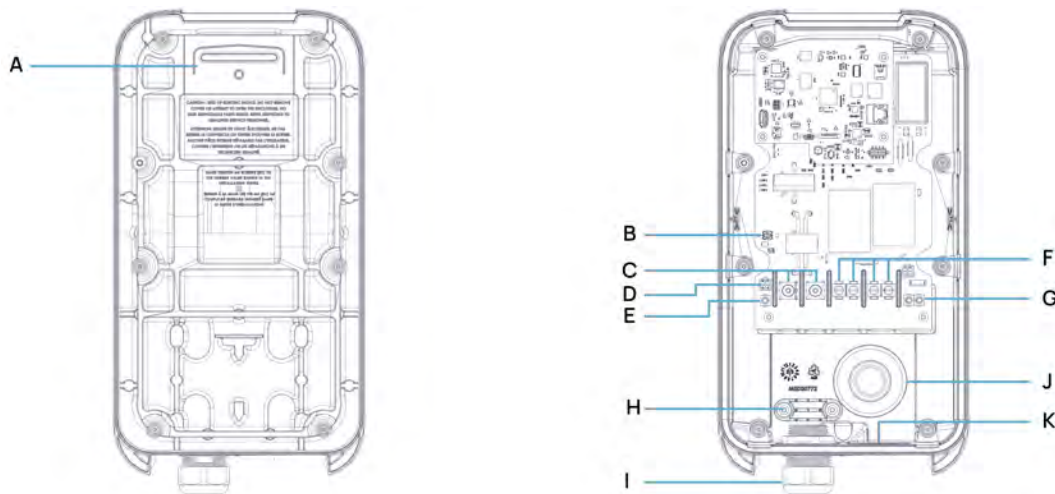


Part	Description
A	Charging status light
B	Connectivity status light
C	Fascia cover plate
D	Detachable cable holster
E	Connector holster
F	Charging connector (J1772 or NACS depending on the charging station configuration)
G	Side entry modification indicators
H	Fascia lower screw
I	Charging cable
J	Wall mounting plate
K	Wall mounting plate lower security screw

Part	Description
L	Holster mounting plate
M	Holster mounting plate lower screw
N	FLO branded cover pad
O	Power supply cord (optional for X6 only)
P	NEMA Plug (optional for X6 only)

5.3.2. FLO Home Interior Components

The following image displays the main interior components of the FLO Home X6 and FLO Home X8 charging stations:

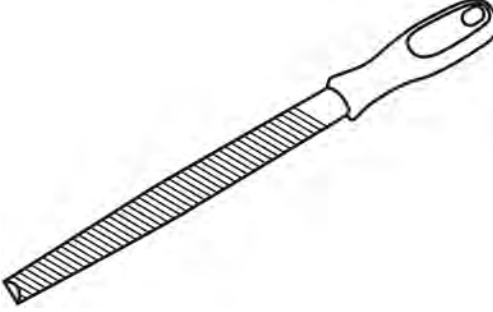

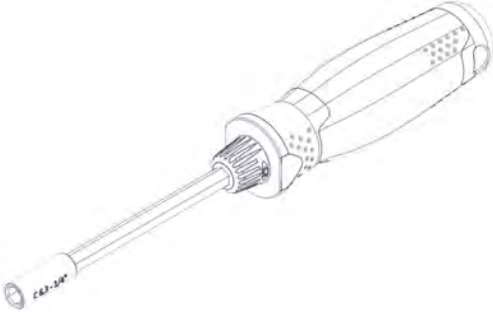
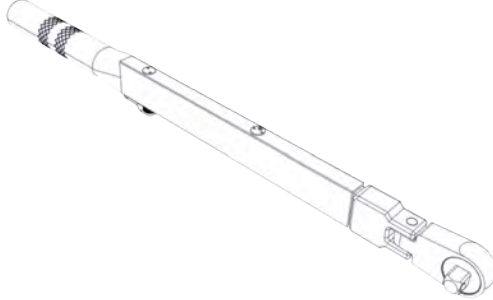


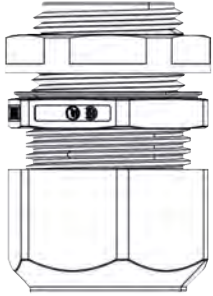
Part	Description
A	Front shell
B	Current selector (Rotary switch)
C	Charging cable power terminal block
D	Charging cable pilot signal terminal block
E	Charging cable ground terminal block
F	Power input terminal block (L1 and L2)
G	Input ground terminal block (GND)
H	Strain relief
I	Charging cable gland
J	Rear power input entry
K	Bottom power input entry

5.4. Recommended Tools and Material

FLO recommends using the tools in the following table to complete the FLO Home installation:

Tools/Material	Description	Image
Hex key wrench set	2.5 mm, 3 mm, 4 mm, 5 mm	
Screwdriver	Small flat-head	
Drill	<p>The drill bit will depend on the screws selected</p> <p>NOTE: The drill should only be used when installing the wall mounting plate and the wall mounting plate lower screw</p>	
Hole saw	<p>Diameter 1-5/ 32"</p> <p>NOTE: This tool is used for daisy-chaining only.</p>	

Tools/Material	Description	Image
Half-round file	<p>NOTE: This tool is used for daisy-chaining only.</p>	
Pan head screws	<p>(6x) to fasten the wall mounting plate; selected according to the surface</p> <p>(4x) to fasten the deported holster wall support; selected according to the surface</p>	
Multi-bit screwdriver	NA	
Torque wrench	NA	

Tools/Material	Description	Image
Cable gland and strain relief	NA	 A technical line drawing of a cable gland and strain relief assembly. It consists of a cylindrical upper section with a threaded top, a middle section with a central opening and a locking mechanism, and a lower section with a flared base.

NOTE: Ensure that the type of mounting surface, either the wall or the post, will be strong enough to bear the minimum weight of the EVSE, and ensure that their anchors are compatible with the type of mounting surface.

NOTE: The cable gland and strain relief are not supplied because the installation contexts differ.

5.5. Electrical Considerations



WARNING – The charging station must be installed by a licensed electrician.



WARNING – Make sure the circuit powering the charging station is turned *OFF* at ALL TIMES during the installation process and follow the steps below.



CAUTION - Any alteration to any part of the charging station will void the warranty unless FLO has authorized in writing that such alteration, disassembly or repair may be carried out by a licensed electrician instead of an authorized service provider.

1. In the breaker panel, set the circuit breaker dedicated to the charging station to *OFF*.
2. Confirm that the charging station's light indicators are *OFF*.
3. Use a multimeter to determine if an electrical cable is live. Keep in mind, it is possible for more than one wire to be live.

5.6. Electrical Specifications

The station has built-in protection against overvoltage conditions and leakage current to ground. Follow the requirements for your configuration below:

5.6.1. For 50 A Charging Stations - FLO Home X6

Connecting the charging station requires:

- A single-phase 120/240 VAC supply (figure 1) or 3-phase 120/208 VAC supply (figure 2).
- A connection with the appropriate connector gauge. Refer to the table in [Connecting the Wiring on page 45](#) for more information.
- Protection by a double pole circuit breaker with 70 A for a fixed installation or 50 A for installations with a NEMA plug.
NOTE: A breaker of higher or lower amperage can be used in conjunction with the charging station if the power input is adjusted according to the position of the rotary switch. Refer to the table in the [Connecting the Wiring on page 45](#) section for more information.
- 2 phases and a ground connection with 120 VAC between each phase and ground.
NOTE: The neutral conductor not required.
- The maximum output power is: 12 kW @ 240 V.

5.6.2. For 80 A Charging Stations - FLO Home X8

Connecting the charging station requires:

- A single-phase 120/240 VAC supply (figure 1) or 3-phase 120/208 VAC supply (figure 2).
- A connection with the appropriate connector gauge must be used. Refer to the tables in [Connecting the Wiring on page 45](#) for more information.
- Protection by a 100 A, double pole circuit breaker or two fuses.
NOTE: A breaker of lower amperage can be used in conjunction with the

charging if the power input is adjusted. Refer to [Connecting the Wiring on page 45](#) for more information.

- Two phases and a ground connection with 120 VAC between each phase and ground.

NOTE: Neutral is not required.

- The maximum output power is: 19.2 kW @ 240 V.

Figure 1: Single-Phase 120/240 VAC

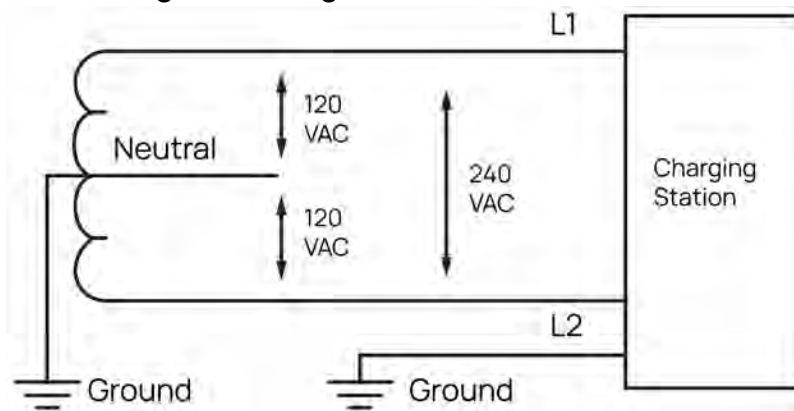
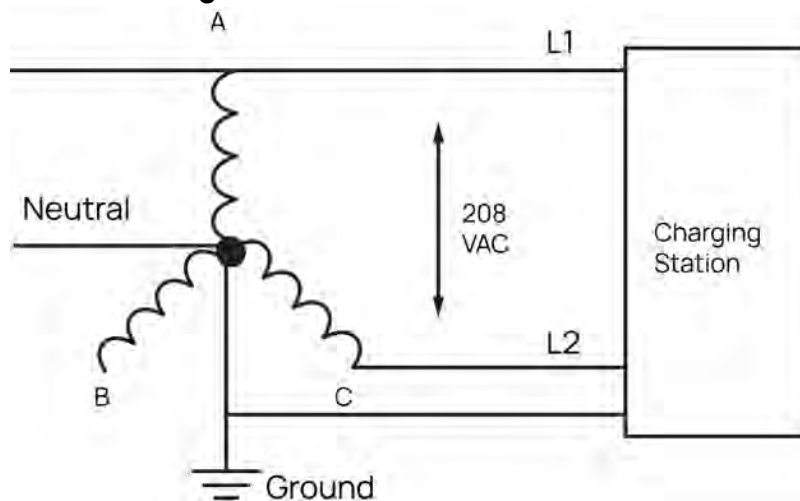


Figure 2: 3-Phase 120/208 VAC



5.7. General Specifications

Specification	FLO Home X6	FLO Home X8
Electrical		
Output power @ 240 VAC	12 kW	19.2 kW
Output current	50 A (adjustable from 6 to 50 A)	80 A (adjustable from 6 to 80 A)
AC Input voltage	208-240 V @ 60 Hz	
AC Input connection	<ul style="list-style-type: none"> • Hardwired or • NEMA 14-50 (24 inches / 610 mm power cord) 	Hardwired
Wiring schema	L1, L2, Ground	
Compatible wiring type	Copper or Aluminum	
Power supply wire entry options	<ul style="list-style-type: none"> • Bottom • Rear • Side entry points, (with modifications) 	
Integrated protection	<ul style="list-style-type: none"> • Integrated GFCI 20 mA, auto retry • Charging connector temperature sensor • NEMA plug temperature sensor 	
Power measurement accuracy	+/- 1.0%	
Daisy chain	Yes	
Environment		
Operating temperature	-40 °F to 122 °F (-40 °C to 50 °C)	
Operating humidity	5%–95% (non-condensing)	
Storage temperature	-40 °F to 140 °F (-40 °C to 60 °C)	
Non-Operating humidity	5%–95% (non-condensing)	
Certification and Compliance		

Specification	FLO Home X6	FLO Home X8
Certification	<ul style="list-style-type: none"> • UL2594 (UL listed) / CSA C22.2 No 280 (UL # E522756) • Energy Star certified 	
Compliance	<ul style="list-style-type: none"> • NEC 2023 section 625 / CSA C22.1 • FCC 47 CFR Part 15 / CAN ICES-003(B); NMB-003(B) 	
Communication		
Connection	Wi-Fi 2.4GHz Cellular LTE-M*	
FLO mobile app	<ul style="list-style-type: none"> • Restrained mode • Remote start and stop • Recharging schedule <ul style="list-style-type: none"> • Real-time status • Charging history • Charging notifications 	
Physical		
Dimensions (H x W x D)	16 3/32" x 8 1/4" x 7 1/2" (409.4 mm x 208.8 mm x 190.25 mm)	
Weight without packaging	<ul style="list-style-type: none"> • 17.5 lbs (7.8 kg) • With NEMA plug: 18.6 lbs (8.5 kg) 	22.5 lbs (10.2 kg)
Weight with packaging	<ul style="list-style-type: none"> • 20.5 lbs (9.4kg) • With NEMA plug: 21.6 lbs (10.1kg) 	25.5 lbs (11.8 kg)
Cable length	25' (7.62 m)	
Cable diameter	J1772: 0.55" (14 mm) NACS: 0.57" (14.5 mm)	0.75" (19.1 mm)
Power cord length (Plug-In units)	24" (61 cm)	N/A
Charging connector	<ul style="list-style-type: none"> • SAE J1772 or • NACS 	• SAE J1772
Pistol and cable holster	Detachable	
Status Indicator	<ul style="list-style-type: none"> • Charging status LED • Connectivity status LED 	

Specification	FLO Home X6	FLO Home X8
Enclosure material	Aluminum	
Enclosure rating	Type 4X enclosure (waterproof and corrosion proof)	
Mounting	<ul style="list-style-type: none"> • Wall mount • Pedestal mount 	
Impact Rating	IK10	
Limited Warranty	<ul style="list-style-type: none"> • Five (5) years for residential use • One (1) year for commercial use 	
Finish	Absolute black or Deep silver	Absolute black
Wall Bracket	Included	
Compatible accessories	<ul style="list-style-type: none"> • Basic residential pedestal • Premium residential pedestal • Wall mounted charging cable retractor 	
Installation	Must be installed by a licensed electrician	

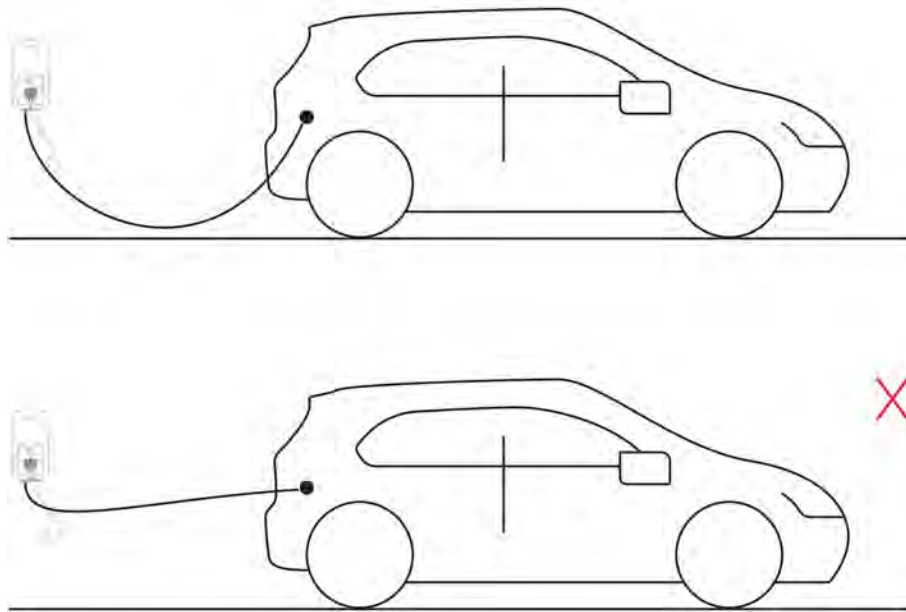
*Cellular connectivity to the FLO network is a feature in development and may not be enabled at the time of purchase. FLO uses cellular connectivity to administer certain over-the-air product updates and to better understand the location and energy usage of its customers. Please read our privacy policy at www.flo.com/en-ca/privacy-policy to learn about your privacy rights and how we handle personal information.

5.8. Charging Station Location

We recommend using the following criteria to determine the optimal location of the FLO Home charging station:

- The location where the EV is normally parked.
- The location of the vehicle's charge port.
- The length of the charging cable (25 feet / 7.62 m).
- Existing or potential obstacles, including seasonal obstacles.
- The Wi-Fi signal reach.

Ensure there is enough play in the charging cable so as not to apply strain to the cable, the cable connector or the car connector.



FLO RECOMMENDS minimizing the distance between the charging station and the electrical panel. This reduces installation costs and simplifies the installation process. It may also reduce energy losses.

For secure mounting, install the charging station on a vertical wall stud or on a solid wall with appropriate mounting screws capable of supporting the charging station weight.

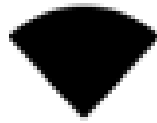
To allow for proper airflow and working room, the charging station should be located 12" (30 cm) from any other equipment, walls, or other obstructions.

The Wi-Fi signal reach can be evaluated by looking at the Wi-Fi strength of a smart phone connected to the network to be used by the charging station. The signal must preferably be at full strength at the desired charging station location.

NOTE: The symbols below are popular representations of internet signals on various devices:



Apple iOS signal



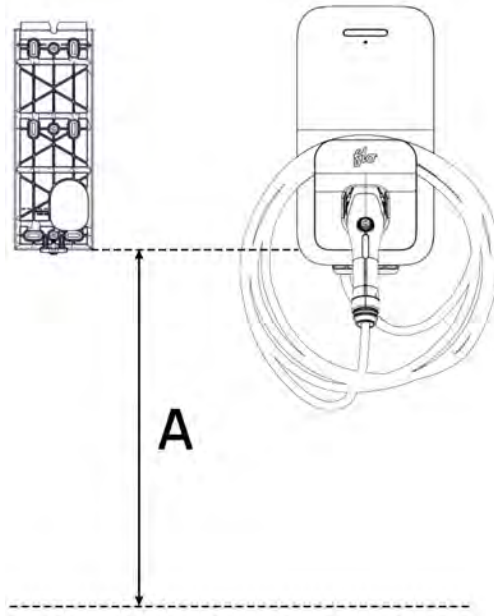
Google Android signal



Samsung signal

5.9. Positioning

The recommended installation height of the charging station is 39" to 45" (1 m to 1.2 m) from the bottom of the wall mounting plate to the ground/floor. Place the charging station at a height which will facilitate the handling of the connector, and prevent the cable from touching the ground.



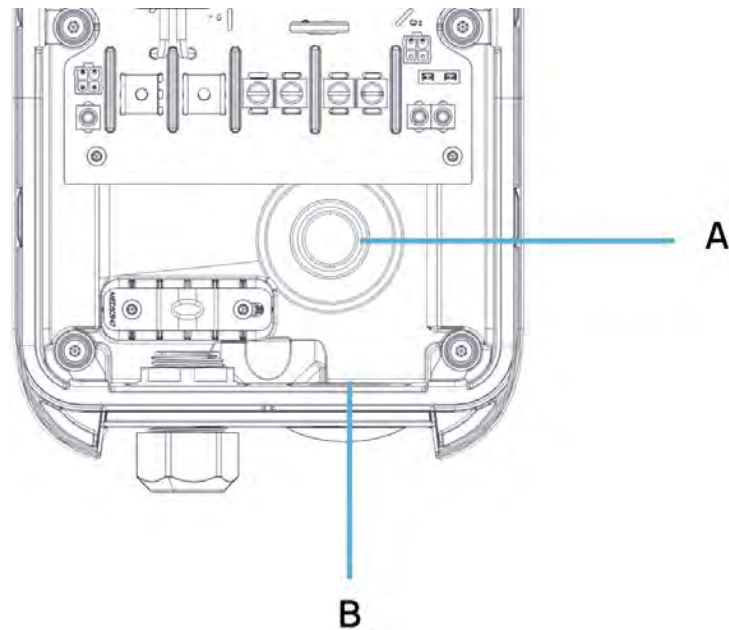
Distance	Description
A	Distance from the bottom of the mounting plate to the floor 39"-45" (1 m-1.2 m)

5.9.1. Hardwired Charging Stations - Rear and Bottom Entry

The power supply cable can be inserted from the rear (A) or from the bottom (B) of the charging station. A rear entry installation will generally be more aesthetic and create less potential obstacles than a bottom entry requiring tubing leading to the charging station but the rear entry installation may not be possible in all contexts.

NOTE: The rear and bottom entries can accommodate conduits with an opening size of 1" (25 mm) National Pipe Taper (NPT).

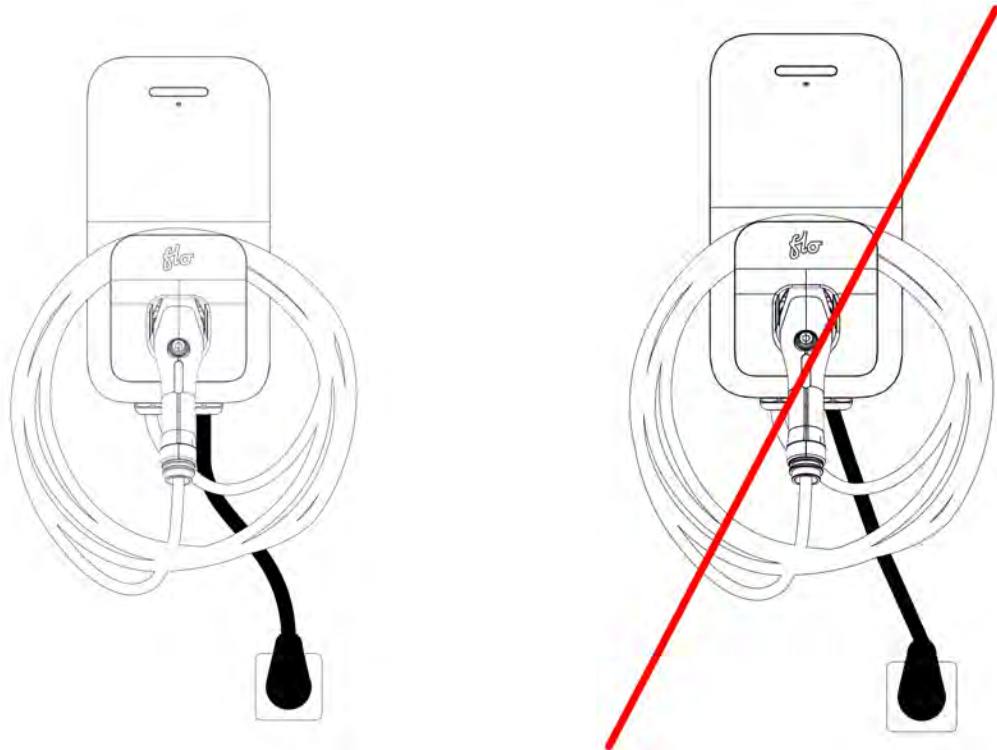
NOTE: Please note the cable gland to be used in conjunction with the rear or bottom power entry must be provided by the licensed electrician performing the installation as requirements may differ depending on the installation context.



Part	Description
A	Rear power input entry
B	Bottom power input entry

5.9.2. Plug-In Charging Stations

The placement of the NEMA outlet and of the charging stations must allow for an adequate connection of the 24" (61 cm) power cord. Once the station is plugged in, there must be enough play in the power input cable to not apply strain to it once it is connected to the outlet.



6. INSTALLATION INSTRUCTIONS

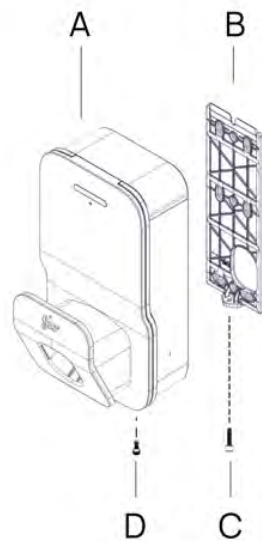


WARNING – The charging station must be installed by a licensed electrician.

NOTE: This guide does not provide an exhaustive list of required building modifications necessary for the installation of the station. Please refer to a licensed electrician for expertise on the matter.

6.1. Mounting a Hardwired Charging Station

Follow the instructions below to complete a hardwired installation of the FLO Home.



Part	Description
A	Charging station
B	Wall mounting plate
C	Wall mounting plate lower security screw
D	Fascia lower screw

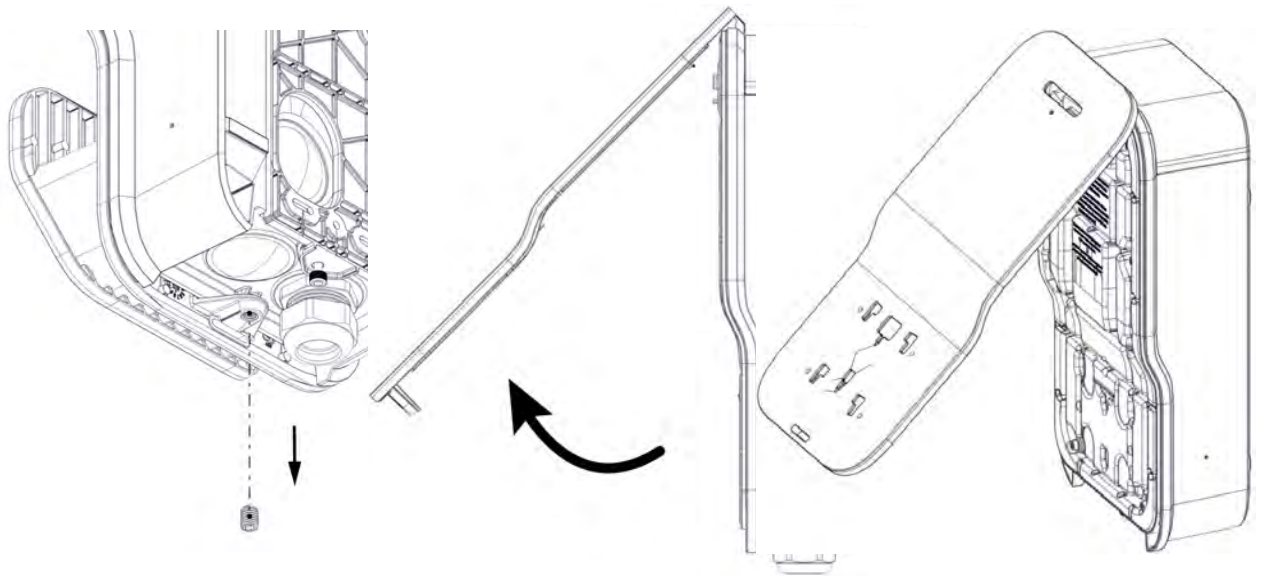
1. Use the mounting plate as a drilling template on the surface where the charging station will be mounted.
For rear power entry only: An entry point (hole) in the wall is required to pass the power input cable. Refer to [Positioning on page 34](#) for more information.
2. Hang the wall mounting plate securely on a stable and strong surface using a minimum of three screws (at least one per row). The screws selected must be strong enough to support the weight of the EVSE.

FOR EXAMPLE: The use of Number 8, pan head, 1-1/2" length screws is recommended for a typical installation on a framed wall with drywall/gypsum board.

NOTE: The screws are not provided by FLO because mounting surfaces differ.

NOTE: This guide does not provide an exhaustive list of required building modifications necessary for the installation of the station. Please refer to a licensed electrician for expertise on the matter.

3. Unscrew the fascia lower screw (1x) and rotate the bottom of the fascia upwards approximately 30 degrees, then remove the fascia.

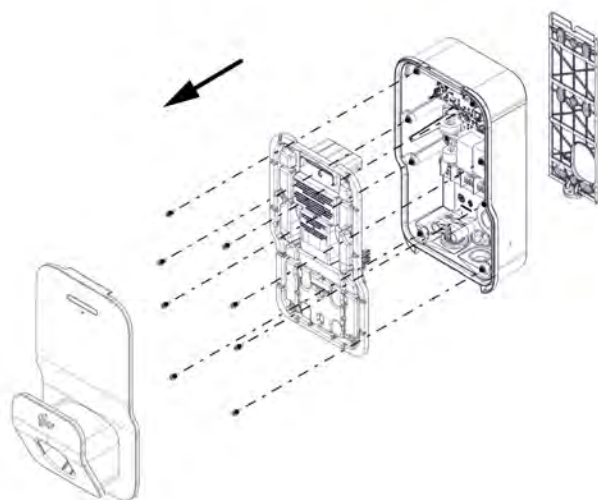


4. Unscrew the screws (8x) while holding the front shell in place so it does not fall. Once the screws are removed, take off the front cover. The electronic boards can now be seen.

NOTE: Do not use a drill for this operation.



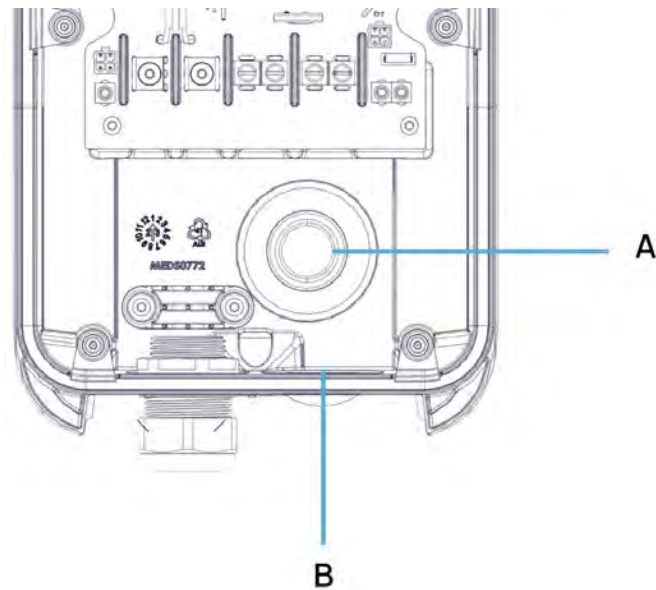
CAUTION Electronic equipment must be protected from the elements (such as rain, snow and dust) at all times.



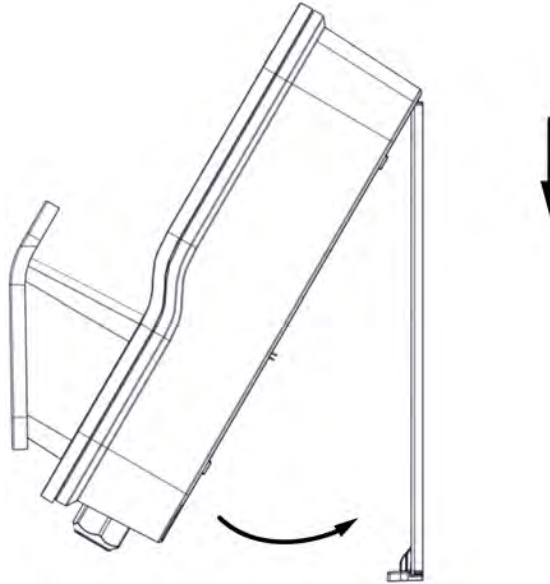
5. Remove the rear power input plug (A) for rear power entry installation OR bottom power input plug (B) for bottom power entry installation.

NOTE for the FLO Home X3: The rear and bottom entries can accommodate conduits with an opening size of 3/4" (19 mm) National Pipe Taper (NPT).

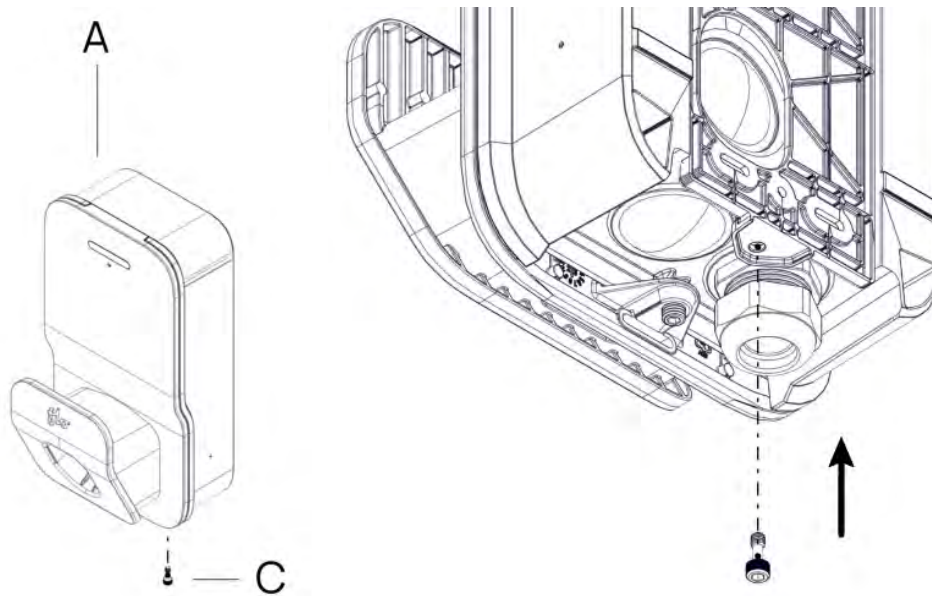
NOTE for the FLO Home X6 and X8: The rear and bottom entries can accommodate conduits with an opening size of 1" (25 mm) National Pipe Taper (NPT).



6. Install the back housing of the charging station. Hang it on the top of the charging station by presenting it at an angle of about 30 degrees, then lower it down without forcing it.



7. Screw in the wall mounting plate lower security screw with a nominal torque of 18 lb-in (2 N m) to secure the charging station to the mounting plate.



6.2. Circuit Consideration

	<p>WARNING – The values shown below are the minimum technical requirements. The values presented DO NOT reflect the requirements of the various electrical codes in effect in Canada and the United States. For a safe installation, it is imperative to respect the values provided by the electrical code of the jurisdiction where the charging station is installed. Charging stations must be installed by a licensed electrician familiar with the electrical code in effect in the jurisdiction where the charging station is installed.</p>
--	--

The tables below provide information on breaker capacity, input wire gauge and tightening torque requirements depending on the desired current configuration of the charging station and the desired wire type (copper or aluminum).

50 A Charging Stations (FLO Home X6)						
Rotary Switch Position	Charging Station Current (A)	Recommended Minimum Wire Gauge (AWG)				
		Recommended Circuit Protection (A)	L1 - L2 COPPER (AWG)	Ground (GND) COPPER (AWG)	L1 - L2 ALUMINUM (AWG)	Ground (GND) ALUMINUM (AWG)
0	6	10	12	12	8	8
1	Do not use	-	-	-	-	-
2	NEMA plug (40 A)	50	-	-	-	-
3	12	15	12	12	8	8
4	16	20	12	12	8	8
5	24	30	10	10	8	8
6	32	40	8	10	8	8
7	40	50	8	10	6	8
8	48	60	6	10	4	8
9	50	70	6	8	4	6

NOTE: The FLO Home X6 terminal blocks for L1 and L2 support wire gauges from 3 to 12 AWG. The terminal block for Ground (GND) supports wire gauges from 8 to 12 AWG. Input terminal blocks support connections at 194 °F (90 °C).

80 A Charging Stations (FLO Home X8)						
Rotary Switch Position	Charging Station Current (A)	Recommended Minimum Wire Gauge (AWG)				
		Recommended Circuit Protection (A)	L1 - L2 COPPER (AWG)	Ground (GND) COPPER (AWG)	L1 - L2 ALUMINUM (AWG)	Ground (GND) ALUMINUM (AWG)
0	6	10	6	12	6	12
1	Do not use	-	-	-	-	-
2	Do not use	-	-	-	-	-
3	32	40	6	10	6	8
4	40	50	6	10	6	8
5	48	60	6	10	4	8
6	56	70	6	8	4	6
7	64	80	4	8	3	6
8	72	90	4	8	2	6
9	80	100	3	8	2	6

NOTE: The FLO Home X8 terminal block for L1 and L2 supports wire gauges from 1 to 6 AWG. The terminal block for Ground (GND) supports wire gauges from 6 to 12 AWG. Input terminal blocks support connections at 194 °F (90 °C).

NOTE: The FLO Home X6 sold as a hardwired option is set to 48 A (rotary switch position number 8) by default. The FLO Home X6 sold as a NEMA plug-in option is set to 40 A (rotary switch position number 2) by default. The FLO Home X8 sold as a hardwired option are set to 80 A (rotary switch position number 9) by default. A different current delivery can be set depending on the household's electrical infrastructure. Refer to [Setting the Current Limit on page 53](#) for more details on the current limit configuration.

The table below provides information on the torque to be used for the L1, L2 and ground wires depending on the wire gauge used:

Torque Chart 50 A Charging Station (FLO Home X6)				
Wire Size	L1 -L2		Ground (GND)	
	Torque (IN. LBS)	Torque (N m)	Torque (IN. LBS)	Torque (N m)
12	35	4.0	20	2.3
10	35	4.0	20	2.3
8	40	4.5	25	3
6	45	5.2	35	4.0
4	45	5.2	NA	NA
3	50	5.7	NA	NA
2	50	5.7	NA	NA

Torque Chart 80 A Charging Station (FLO Home X8)				
Wire Size	L1 -L2		Ground (GND)	
	Torque (IN. LBS)	Torque (N m)	Torque (IN. LBS)	Torque (N m)
12	NA	NA	20	2.3
10	NA	NA	20	2.3
8	100	11.3	25	3
6	100	11.3	35	4.0
4	100	11.3	NA	NA
3	100	11.3	NA	NA
2	100	11.3	NA	NA

NOTE: The torque setting is the same for copper and aluminum wiring.

6.3. Connecting the Wiring



CAUTION - To reduce the risk of fire, connect only to a circuit provided with over current protection in accordance with the Canadian Electrical Code CSA C22.1 and National Electrical Code ANSI/NFPA 70.

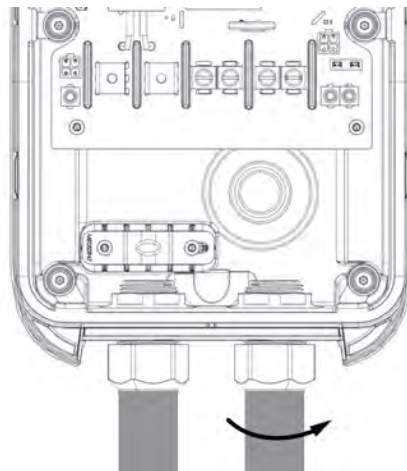
NOTE for the FLO Home X6 and FLO Home X8: The rear and bottom entries can accommodate conduits with an opening of 1" (25 mm) National Pipe Taper (NPT).

Follow the steps below to connect wiring of FLO Home X6 and FLO Home X8:

1. Insert the conductors and secure the strain relief to the rear housing so that the conductors are long enough to reach the terminals.

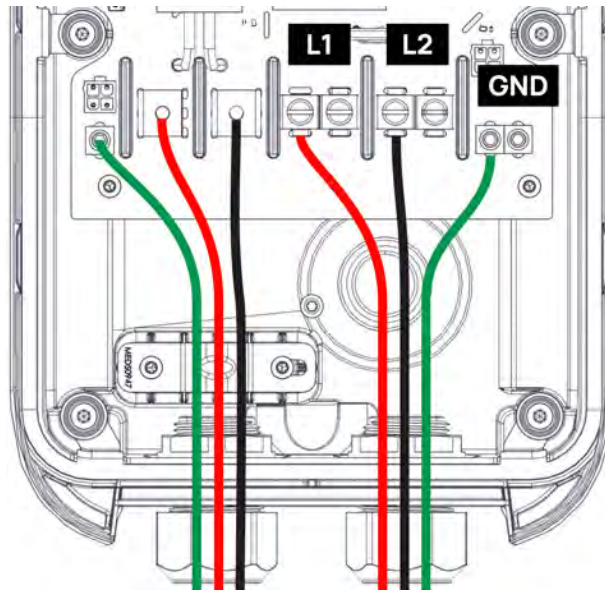
NOTE: The cable gland and strain relief to be used in conjunction with the wiring supplying power is not provided as the installation contexts differ.

2. For bottom power input entry only: Tighten the connector nut and ensure the cable is secure.



NOTE: The input cable strain relief, conduits or armed-cable bushings and adapter must be:

- a. Certified for both Canada and USA.
 - b. Waterproof (4X enclosure type).
 - c. Suitable for the outside diameter of the chosen cable.
 - d. Suitable for mounting into an opening size of 1" (25 mm) NPT.
3. Connect the ground wire (GND) and the two power wires (L1 and L2), as shown in the image below.



4. Ensure the wire is secure and has the appropriate torque. Refer to [Circuit Consideration on page 42](#) for more information.

6.3.1. Grounding Instructions for Products with a Permanent Power Connection

Products with a permanent power connection must follow the instructions below:

This product must be connected to a grounded, metal, permanent wiring system, or an equipment grounding conductor must be run with the circuit conductors and connected to the equipment grounding terminal or lead on the product.

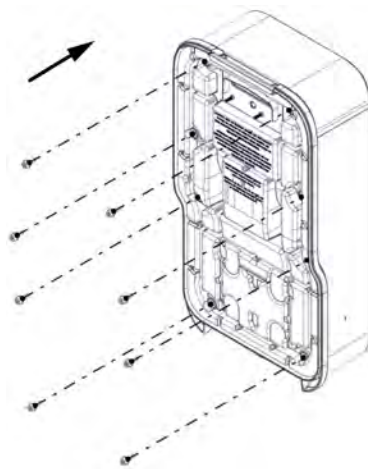
6.4. Closing the FLO Home X6 and FLO Home X8 Enclosure



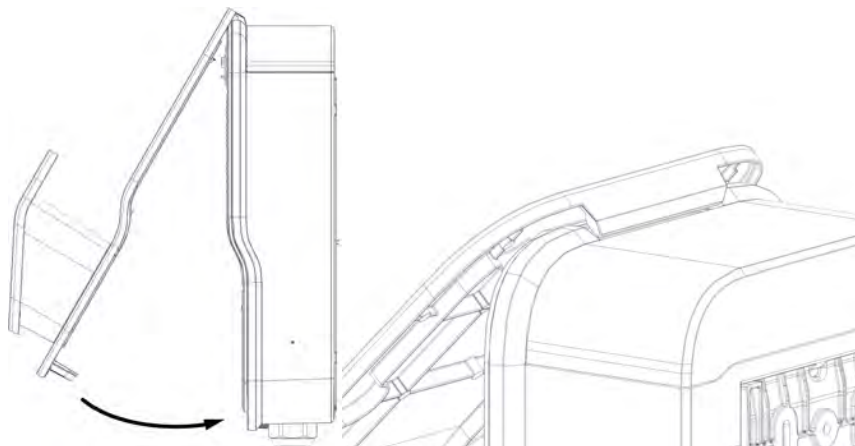
CAUTION – Always use a manual screwdriver only; DO NOT use a power tool at any time to tighten the screws holding the front shell into place; otherwise, the warranty will be voided.

Follow the steps below to close the FLO Home X6 and FLO Home X8 enclosure.

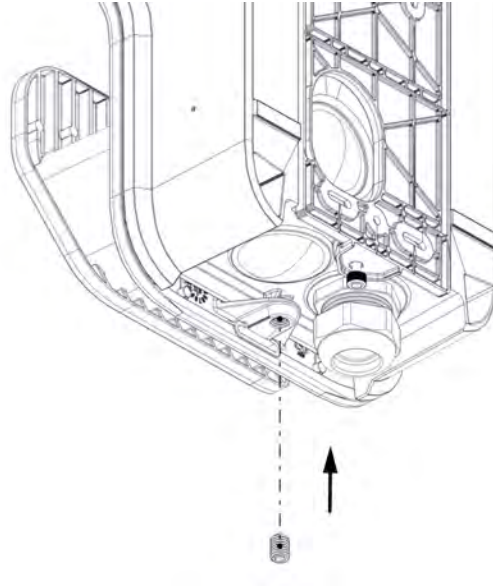
1. Fasten the front shell of the charging station with the screws (8x) at a nominal torque of 26.5 lb-in (3 N m).



2. Hang the front fascia by presenting it at an angle of about 30 degrees, then lower it down without forcing it.



3. Tighten the front fascia's lower screw (1x) with a nominal torque of 40 lb-in (4.5 N m).



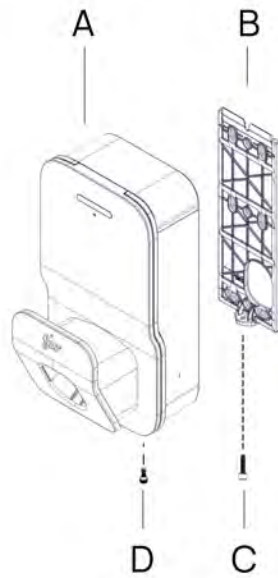
4. Switch on the electrical circuit breaker.

6.5. Installing a Plug-In Charging Station

Follow the instructions in the sections below to install a plug-in charging station.

6.5.1. Mounting the Charging Station

Follow the steps below to mount the charging station:



Part	Description
A	Charging station
B	Back plate
C	Wall mounting plate lower security screw
D	Fascia lower screw

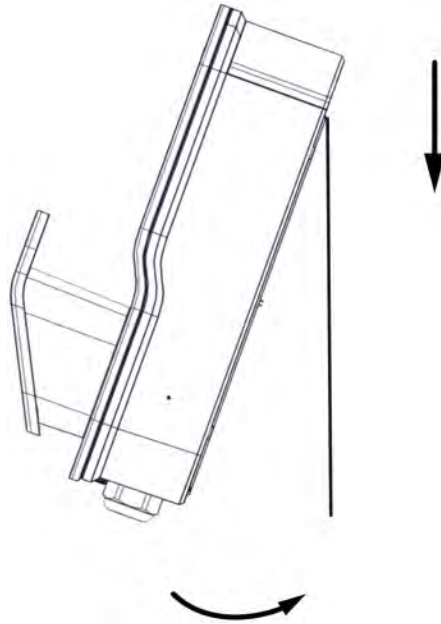
1. Use the wall mounting plate as a drilling template on the surface where the charging station will be mounted.
2. Hang the wall mounting plate securely on a stable and strong surface using a minimum of three screws (at least one per row). Select screws strong enough to support the weight of the EVSE.

FOR EXAMPLE: The use of Number 8, pan head, 1-1/2" length screws is

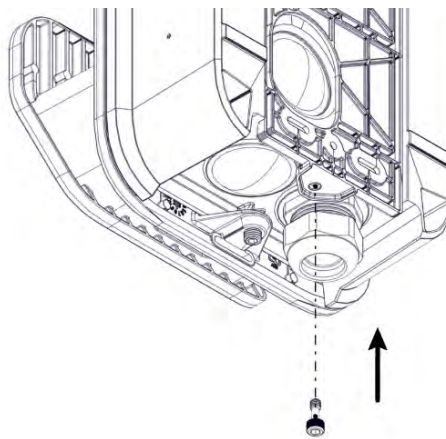
recommended for a typical installation on a framed wall with drywall/gypsum board.

NOTE: Screws are not provided because mounting surfaces differ.

3. Install the back housing of the charging station. Hang it on top of the charging station by presenting it at an angle of about 30 degrees, then lower it down slowly without forcing it.



4. Screw in the lower security screw to secure the charging station to the wall mounting plate with a nominal torque of 18 lb-in (2 N m).



5. Plug in the power plug and activate the circuit breaker.

NOTE: FLO Home X3 and FLO Home X6 sold as a plug-in option are set to 40 A (rotary switch position number 2) by default. A different current delivery can be set (from 6 A up to 40 A, or up to 50 A if the charging station is hardwired) depending on the household's electrical infrastructure. Refer to [Setting the Current Limit on page 53](#) for more details on the current limit configuration.

6.5.2. Grounding Instructions for a Permanently Connected Product

Permanently connected products must follow the grounding instructions below:

GROUNDING INSTRUCTIONS - This product must be grounded. If it should malfunction or break down, grounding provides a path of least resistance for electric current to reduce the risk of electric shock. This product is equipped with a cord having an equipment grounding conductor and a grounding plug. The plug must be plugged into an appropriate outlet that is properly installed and grounded in accordance with all local codes and ordinances.



WARNING - Improper connection of the equipment-grounding conductor is able to result in a risk of electric shock. Check with a licensed electrician if you are in doubt as to whether the product is properly grounded. Do not modify the plug provided with the product - if it will not fit the outlet, have a proper outlet installed by a licensed electrician.

6.5.3. Hardwiring a NEMA Unit

A fixed-connection charging station can be converted to a wired charging station using a NEMA plug. Follow the steps below to complete the operation:

1. Remove the charging station front shell.
For the FLO Home X6, follow steps 3 and 4 from [Mounting the Charging Station on page 49](#).
2. Remove the power supply cord by disconnecting the ground wire (GND) and the two power wires (L1 and L2) from the terminal block.
3. Continue with the charging station installation procedure in [Circuit Consideration on page 42](#).

NOTE: The default setting of plug-in charging stations from the FLO Home X6 is set to 40 A. By hardwiring the unit, it is possible to change the current limit up to 50 A. Refer to [Setting the Current Limit on the next page](#) for more information.

	<p>Adjustments of current limits must be performed by a licensed electrician.</p>
	<p>To reduce the risk of fire, connect only to a branch circuit provided with the proper surge protection and conductors caliber in accordance with the Canadian Electrical Code (CSA C22.1-12) for installations completed in Canada or the National Electrical Code (ANSI / NFPA 70) for installations completed in the United States. Refer to INSTRUCTIONS PERTAINING TO A RISK OF FIRE OR ELECTRIC SHOCK on page 6 and General Safety Instructions on page 8 for more information.</p>

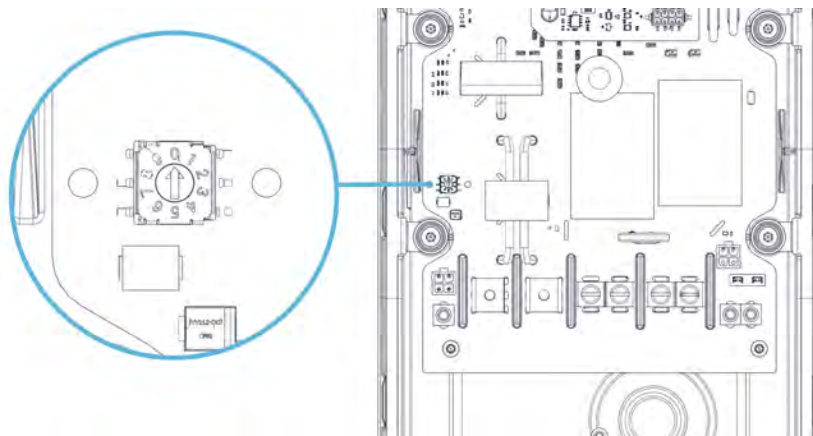
6.6. Setting the Current Limit



WARNING – Adjustments of current limits must be performed by a licensed electrician.

Follow the steps below to set the current limit:

1. Switch *OFF* the charging station:
 - a. In the breaker panel set the charging station circuit breaker to *OFF*.
 - b. Confirm that the charging status light Indicator is *OFF*.
2. Before handling the charging station, use a multimeter to determine if an electrical cable is live. Keep in mind, it is possible for more than one wire to be live.
3. Remove the charging station front shell.
Follow steps 3 and 4 from [Connecting the Wiring on page 45](#).
4. Locate the current selector (rotary switch).



5. Use a flat-bladed screwdriver to gently rotate the switch to the desired position. The section [Circuit Consideration on page 42](#) lays out the different current configurations related to the current selector (rotary switch) positions. One table is used for 48 A charging stations (FLO Home X6) another for 80 A charging stations (FLO Home X8).

6. Close the enclosure as described in [Closing the FLO Home X6 and FLO Home X8 Enclosure on page 47](#).
7. Once the power limitation of the charging station is determined, use the label matching the new power setting (labels are provided on the *Important Information* document) and place it on the charging station's nameplate found on the left hand side of the charging station, indicated by *XX A* in the image below.



NOTE: Labels are also provided to identify the breaker assigned to the charging station in the electrical panel (breaker panel labels are provided on the same sheet illustrated above). The example image below shows a label applied to the charging station breaker on the electrical panel (A).





CAUTION: To reduce the risk of fire, connect only to a branch circuit provided with the proper surge protection and conductor caliber in accordance with the Canadian Electrical Code (CSA C22.1-12) for installations completed in Canada or the National Electrical Code (ANSI / NFPA 70) for installations completed in the United States.

NOTE: The FLO Home X6 sold as a hardwired option is set to 48 A (rotary switch position number 8) by default. The FLO Home X6 sold as a plug-in option is set to 40 A (rotary switch position number 2) by default. The FLO Home X8 sold as a hardwired option are set to 80 A (rotary switch position number 9) by default. A different current delivery can be set depending on the household's electrical infrastructure.

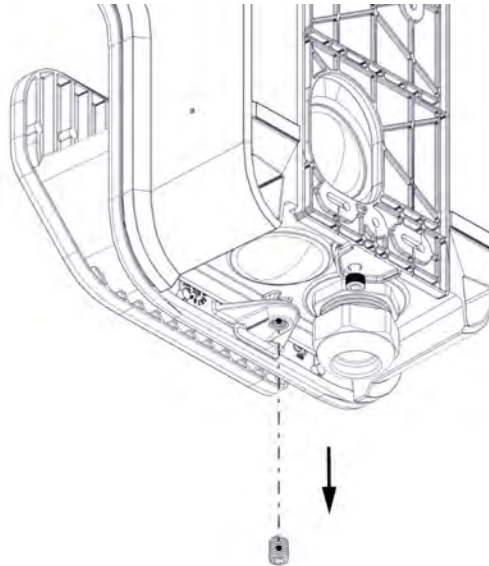
6.7. Installing the Cable and Connector Holster at a Remote Location

Follow the instructions in the sections below to install the cable and connector holster at a remote location.

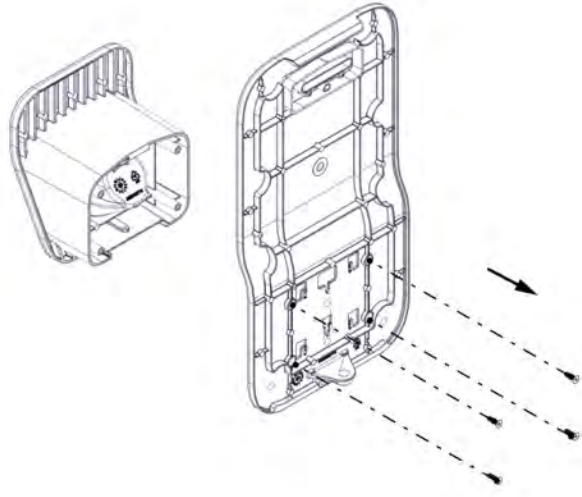
6.7.1. Detaching the Holster from the Charging Station

Follow the steps below to detach the holster from the charging station:

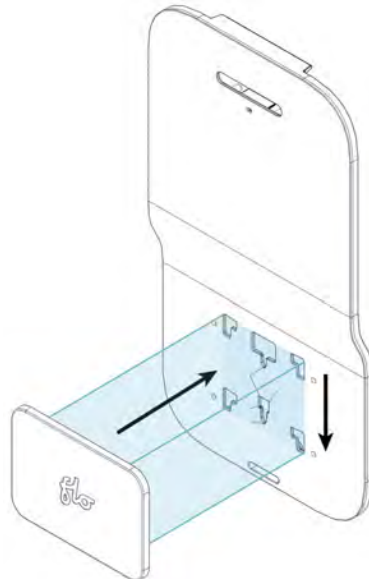
1. Remove the charging station fascia by unscrewing the fascia lower screw (1x).



2. Remove the holster from the fascia by unscrewing the screws (4x) holding it into place.



3. Use the FLO branded cover pad to cover the space left vacant by the holster.



4. Reassemble the fascia of the charging station. Tighten the lower fascia screw (1x) with a nominal torque of 40 lb-in (4.5 N m).



WARNING: Never use power tools to tighten the charging station front panel's mounting.

6.7.2. Mounting the Holster

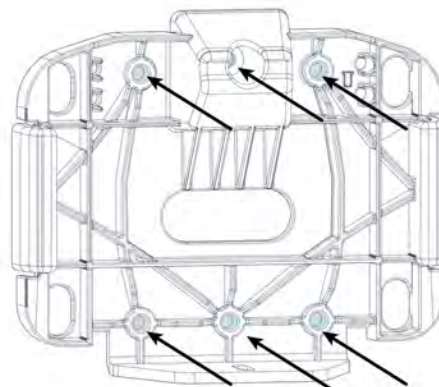
Follow the steps below to mount the holster:

1. Use the following criteria to determine the optimal location for the cable holsters:
 - The location where the EV is normally parked.
 - The location of the vehicle's charge port.
 - Existing or potential obstacles (think about the four seasons).

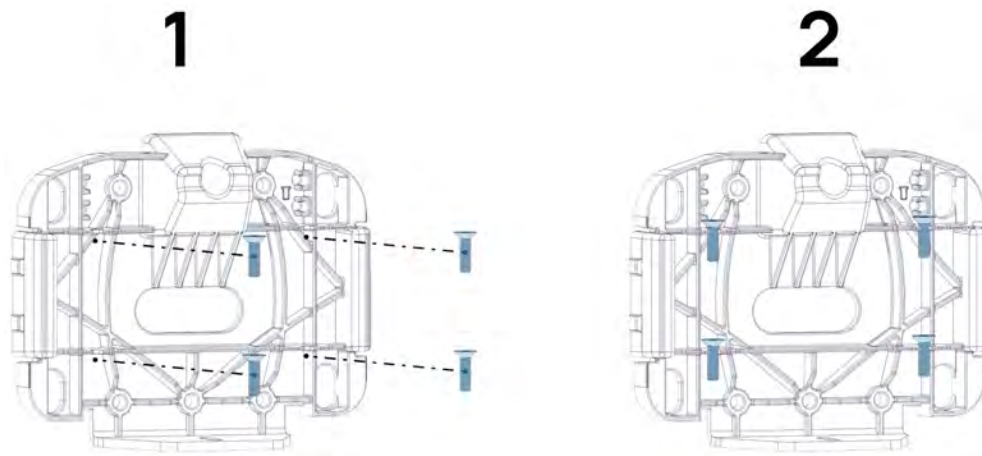
NOTE: The holster can be placed wherever it is most convenient, ensuring that the location does not exert any strain on the charging cable. The recommended installation height of the holster is 39" to 45" (1 m to 1.2 m) from the bottom of the holster mounting plate to the ground. Place the holster at a height that allows easy handling of the connector and prevents the cable from touching the ground.

2. Hang the holster mounting plate securely to a stable and strong surface using a minimum of two screws (at least one per row). Select screws that are strong enough to bear the minimum weight of the pistol-cable.

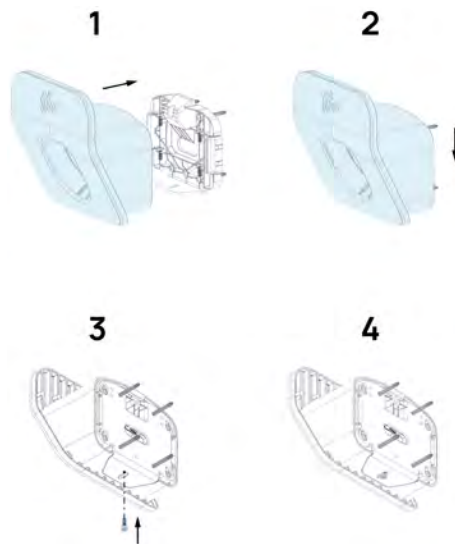
FOR EXAMPLE: The use of Number 8, pan head, 1-1/2" length screws is recommended for a typical installation on a framed wall with drywall/gypsum board.



- Place the screws (4x) that held the pistol holster and store them in the dedicated area.



- Mount the cable holster on the holster mounting plate and screw the departed holster lower screw (1x).



- Wrap the charging cable around the holster and place the connector in the holster.

NOTE: For secure mounting, install the holster on a vertical wall stud or on a solid wall with the appropriate mounting screws capable of supporting the cable weight.

NOTE: Screws are not provided because mounting surfaces differ.

NOTE: This guide does not provide an exhaustive list of required building modifications necessary for the installation of the station. Please refer to a licensed electrician for expertise on the matter.

6.8. Connecting the FLO Home to the Internet

REMINDER TO ELECTRICIANS: Some owners may require assistance to complete the connectivity configuration of their charging station.

Before connecting the FLO Home charging station to a FLO account, it must first be connected to the household Wi-Fi network. The following items will be required:

- A smartphone with an up to date Operating System (OS): minimal requirements are Android 8 / iOS 15
- Wi-Fi internet access
- The Wi-Fi network password

NOTE: The FLO Home charging station uses the 2.4 GHz Wi-Fi band. Enabling the router 2.4 GHz band may be required to proceed with the pairing of the charging station. Please refer to the router's user guide for details on how to enable the 2.4 GHz band.

Follow the steps below to connect the FLO Home to the Wi-Fi network:

1. Ensure the charging station is powered and properly running. The charging station status light should be green and the connectivity status light should be white.
2. If not done already, download the FLO mobile App from the App store or the Google Play store and create an account by following the prompts on the application.
3. Go to **My Charger** to add the charging station and follow the steps in the app.

NOTE: The FLO Home unit can only be connected to one Wi-Fi network at a time. Connecting the charging station to a different network requires the station to be onboarded again. Refer to the help page below if assistance is required to re-initialise the onboarding of the charging station.

NOTE: If assistance is required, consult www.flo.com/help_pairing.

FLO RECOMMENDS: Connecting the charging station to benefit from the connected features and over-the-air updates. Connectivity also facilitates FLO troubleshooting.

IMPORTANT NOTE: The product warranty registrations are performed through the FLO mobile app. The charger does not need to be connected to internet or paired with a FLO account to complete the warranty registration.

6.9. Installing More than One Charging Station

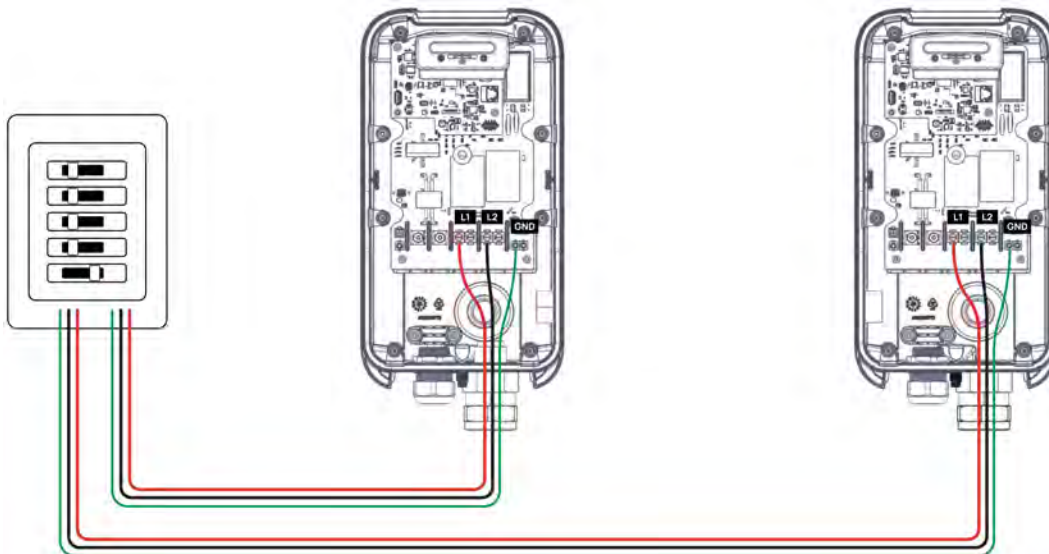
The FLO Home X6 and FLO Home X8 may be installed in a single-family home in one of the following configurations or in a combination of them.



WARNING: The charging stations must be installed by a licensed electrician.

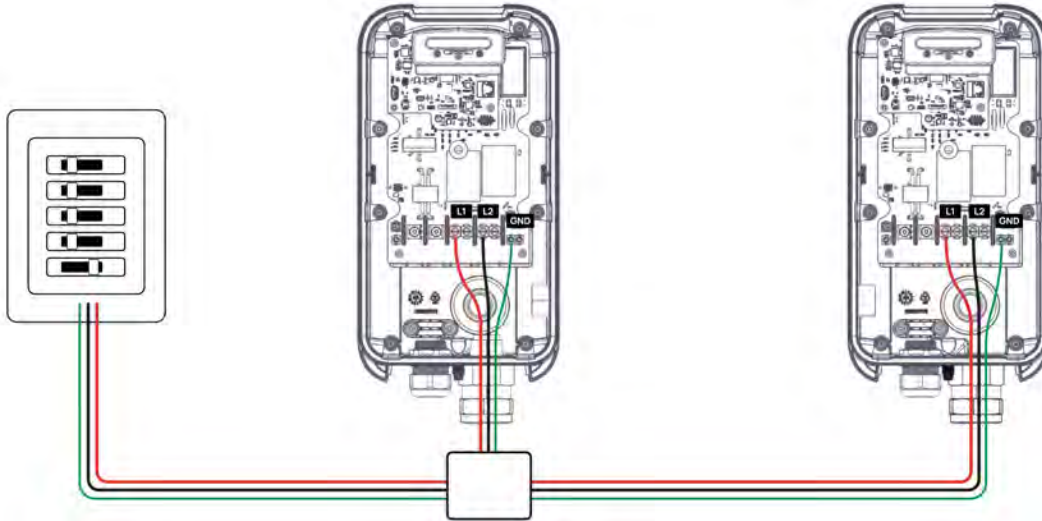
6.9.1. Installing Charging Stations on their own Dedicated Circuit Breakers

The FLO Home charging stations are installed so each is protected by its own dedicated circuit breaker within the circuit panel. This is the default configuration for plug-in models.



6.9.2. Mounting Several Charging Stations on One Breaker

The FLO Home charging stations are connected to the same circuit breaker via a junction box or by daisy chaining.



The circuit breaker used in this configuration will depend on the outstanding power capacity available to the charging stations OR the desired amount of power to be allocated to the charging stations. The breaker size may never exceed the highest breaker rating associated with the unit with the highest amperage. The current limit of each charging station can then be adjusted consequently. Refer to [Setting the Current Limit on page 53](#) for more information.

Situation 1: The current limits of both charging station A and charging station B could be set to 24 A each.

Situation 2: The current limit of charging station A could be set to 16 A and the current limit of charging station B to 32 A.

The circuit breaker used for this configuration must have a maximum rating of 60 A for the FLO Home X6, and of 100 A for the FLO Home X8. The sum of the current configuration of the charging stations on the circuit cannot exceed 80% of its breaker rating.

6.10. Daisy Chaining the Charging Stations



WARNING – The charging station must be installed by a licensed electrician.



CAUTION – Do not use charging stations with NEMA plugs when daisy chaining charging stations.

Installing the charging station in a daisy chain configuration simplifies the installation process, saves on material such as the junction box and extra wire runs, and may allow for a more aesthetic installation in some contexts.

Daisy chaining is available on the FLO Home X6 and FLO Home X8 models.

It is possible to daisy chain FLO Home X6 and FLO Home X8 charging stations between themselves.

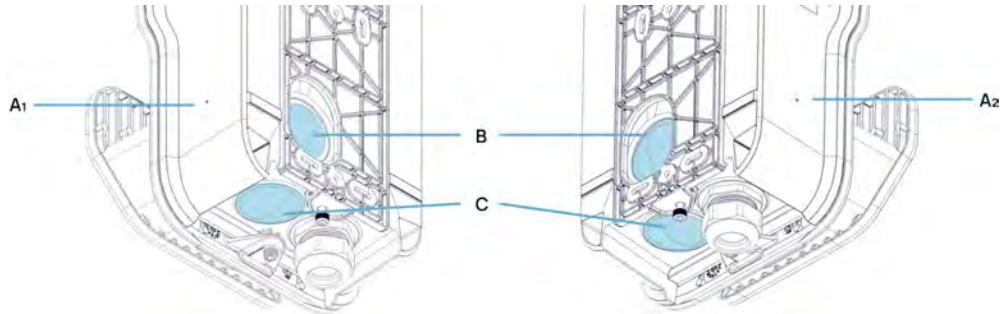
NOTE: The FLO Home X3 model can be used as the last charging station of the chain as long as the existing rear or bottom entry points are being used. It is not possible to modify the the FLO Home X3 charging stations as laid out in this section. Refer to the *FLO Home X3 Installation Guide* for installation details.

NOTE for FLO Home X6 and FLO Home X8: The existing rear and bottom entries can accommodate conduits with an opening of 1" (25 mm) National Pipe Taper (NPT).

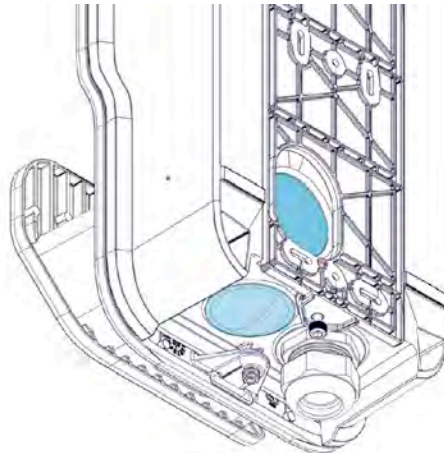
Follow the steps below to install the charging station in a daisy chain configuration:

1. Establish the order of the charging stations as they will appear in the daisy chain configuration.

2. Locate the various entry and exit points for the power cables on each charging station of the chain. All entry points can accommodate a power cable entry or exit.

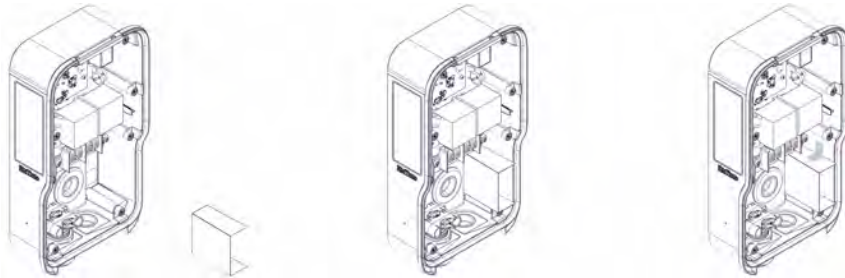


NOTE: There are four available entry and exit points: bottom entry (C), rear entry (B), right entry (A1) (with modifications) and left entry (A2) (with modifications). Consider the most convenient and /or aesthetic configuration for your installation.

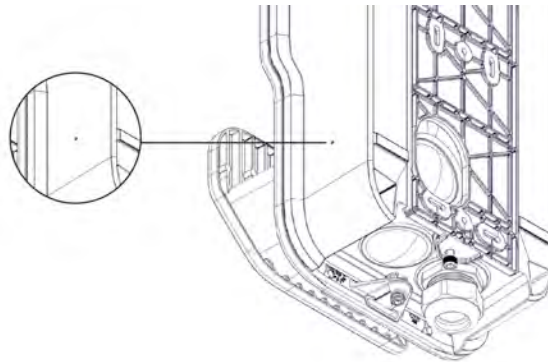


3. In the event that side entries are being used, a modification (or modifications) must be made to the enclosure of the charging station:
 - a. Remove the fascia cover plate and front shell. See steps 3 and 4 of [Mounting a Hardwired Charging Station on page 37](#).

- b. Use the provided cardboard cover protector included in the charging station packaging box.
- c. Place the cardboard cutout on the lower part of charging station, in line with the location that needs to be drilled. Use tape to keep it in place. Seal it off appropriately so the filings do not reach the electronic parts.

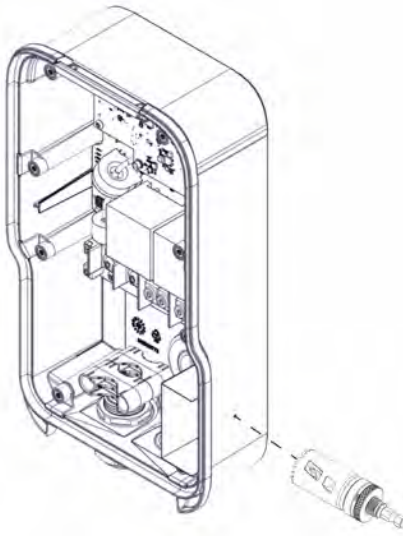


- d. Install the rear housing of the charger on the wall mounting plate. Screw in the bottom screw to secure the charger to the mounting plate. Locate the side entry modification indicators (small dimple) on the side of the charging station.



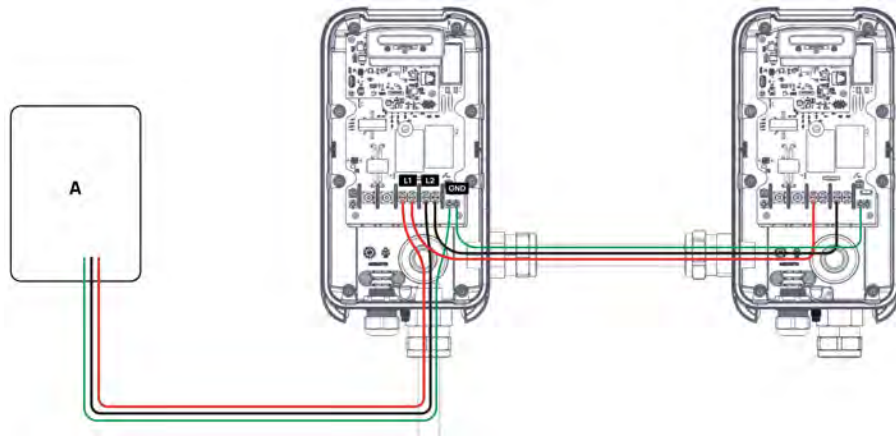
- e. Use a hole saw or other appropriate tool to create the appropriate hole size for the conduit fitting. The hole should be made with the following considerations:

- The hole should have a maximum size corresponding to an opening size of 1" (25. mm) National Pipe Thread (NPT).
 - Ensure that no damage is done to the charging station's electronic components.
 - Drill the enclosure in accordance with the requirements of the chosen type 4X fitting.
- f. Use type 4X fittings that can be screwed on. Avoid using fittings that require additional holes in the enclosure. Additional holes could compromise the integrity of the type 4X enclosure.



- g. Make sure to remove all metal shavings, sharp edges and burrs (with a half-round file) created as a result of drilling (ie: using compressed air). Make sure that electronic components are exempt from any debris.
4. Complete the mounting of the charging station as explained in [Mounting a Hardwired Charging Station on page 37](#) for more information.
5. Follow the instructions in [Connecting the Wiring on page 45](#) to connect the wiring of the first station--the first one of the chain to receive power.

6. Repeat the instructions from [Connecting the Wiring on page 45](#) to connect the conductors leading to the next charging station through the desired exit point.


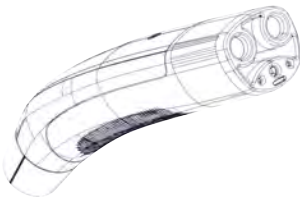


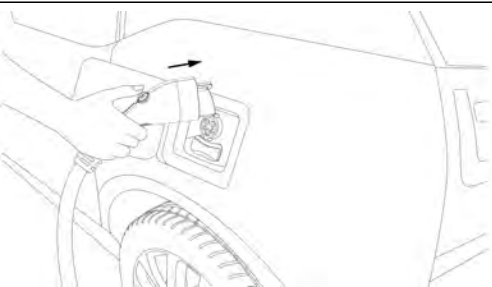
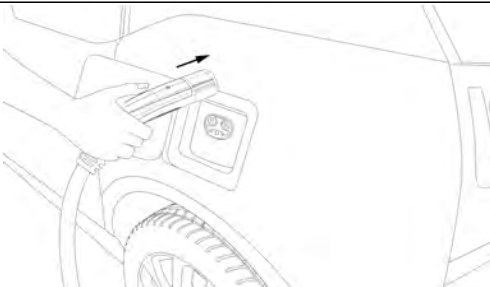




7. Run power cables to the following charging station in the chain.
8. If applicable, repeat steps 3 to 6 for all following charging stations to be included in the chain. Extra modifications to the charging stations (step 4) may be necessary.
9. Once the daisy chaining is complete, close the enclosures according to the instructions in [Closing the FLO Home X6 and FLO Home X8 Enclosure on page 47](#).

NOTE: The FLO Home X6, sold as a hardwired option, is set to 48 A (rotary switch position number 9) by default. The FLO Home X8, sold as a hardwired option, is set to 80 A (rotary switch position number 9) by default. A different current delivery can be set depending on the household's electrical infrastructure. Refer to [Setting the Current Limit on page 53](#) for more details on the current limit configuration.




7. OPERATING INSTRUCTIONS



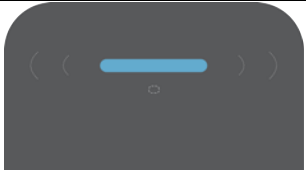
The unit must be installed in accordance with the installation instructions before being operated. Follow the steps below to use the FLO Home™ charging station to charge your Electric Vehicle (EV):

Step	J1772 connector	NACS connector
Connector types		
Pick up the connector and unwind the cable to the required length		
Plug the connector into the vehicle. The charging will start immediately		
Once charging is complete, replace the connector in the charging station's socket		



8. Charger Status Light Indicators




8.1. Charger Status Lights - Common Statuses

Green Not blinking	Blue Not blinking	White Not blinking
		
<ul style="list-style-type: none"> • Standby • Ready for use • No vehicle connected • No power restriction by time slot or lock via mobile app 	<ul style="list-style-type: none"> • Charging completed • Vehicle connected • Session still ongoing until vehicle is disconnected 	<ul style="list-style-type: none"> • Restrictions in effect • Vehicle is connected OR not • Active schedule is set to 0 A OR other restriction has set the station to 0A


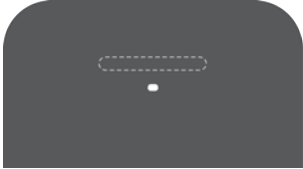

Blue Regular pulse (2 seconds cycles)	Blue Slow pulse (3 seconds cycles)	Blue Very slow pulse (7 seconds cycles)
		
<ul style="list-style-type: none"> • Charging 75-100% capacity • Vehicle connected and charging 	<ul style="list-style-type: none"> • Charging 50-75% capacity • Vehicle connected and charging 	<ul style="list-style-type: none"> • Charging less than 50% capacity • Vehicle connected and charging




8.2. Charger Status Lights - Auxiliary Statuses

<p>Pink Regular pulse (2 seconds cycles)</p>	<p>Yellow Not blinking</p>
	
<ul style="list-style-type: none"> • Default status on initial boot <ul style="list-style-type: none"> • Software update • Can only occur when no vehicle is connected • Blinks until the update is completed • Then resumes to usual LED status 	<ul style="list-style-type: none"> • Charging station locked and powered on <ul style="list-style-type: none"> • Configuration set in "Lock Mode" through the mobile app • Even if vehicle is plugged in, color remains yellow • Color will change if a session is started/authorized

Orange Regular pulse	Green Blinking twice	Red Not blinking
		
<ul style="list-style-type: none"> • Access point • The charging station's access point mode is activated by user • Access point mode will remain on for 15 minutes to allow the user to complete the onboarding/pairing process in the mobile app 	<ul style="list-style-type: none"> • Settings change confirmation • Used to confirm a successful setting modification through the FLO app: - schedule settings change - user addition - Time zone change - new user paired to station - charging station rename 	<ul style="list-style-type: none"> • Error status • The charging station may require a restart (cycling of the circuit breaker; turning power off and then back on) • Contact the FLO support team if the problem persists; The station must be connected to the Internet in the first place, this will facilitate the FLO representative diagnosing the situation

8.3. Charger Connectivity Status Light

Green Not blinking	White Not blinking	Blue Regular pulse (2 seconds cycles)
		
<ul style="list-style-type: none"> • Connected • The charging station is connected to FLO and the signal is good 	<ul style="list-style-type: none"> • Not connected. • The charging station is not connected. • This is the default status prior to the charging station being connected. 	<ul style="list-style-type: none"> • Pairing in progress. • The charging station is currently going through the pairing process.

Yellow Not blinking	Orange Regular pulse (2 seconds cycles)	Red / Yellow Regular pulse (2 seconds cycles)
		
<ul style="list-style-type: none"> • Weak connection • The charging station is connected to FLO but the signal is weak 	<ul style="list-style-type: none"> • Not connected to FLO • The charging station is connected to the Internet but not to FLO 	<ul style="list-style-type: none"> • Not connected • The charging station has Wi-Fi credentials but can't connect to Internet.

1. Service and Support

A customer experience or technical support representative is happy to assist!

Contact customer and technical support for any questions regarding charging station installation, configuration or any technical problem:

<https://www.flo.com/support/>

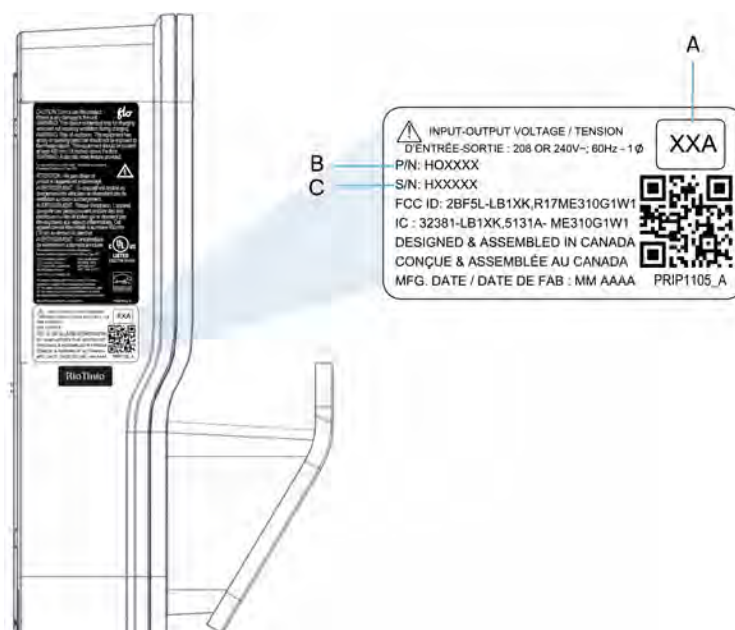
1-855-543-8356

Service@flo.com

1.1. Locating the Charging Station Serial Number

When contacting the customer or technical support, please have your charging station serial number ready to provide to customer or technical support.

You may be required to provide the charging station serial number. The serial number is located on the left side of the charging station as illustrated in the image below.



Part	Description
A	Output current
B	Product model number
C	Serial number

2. USER MAINTENANCE INSTRUCTIONS

The FLO Home enclosure complies to the 4X enclosure type which is intended for indoor or outdoor use, primarily to provide a degree of protection against corrosion, windblown dust, rain, splashing water, and hose-directed water. The integrity of the enclosure must remain intact at all times, including from ice which can form.

As such, the maintenance required to protect the integrity of the charging station enclosure is minimal, except for cleaning which can be achieved with standard domestic products recommended for the type of dirt encountered.

When not in use, the charging cable must be properly rolled around the station enclosure holder (when possible) and the cable connector must be inserted in its enclosure at all times. Care should be taken not to bend, twist or pull on the cable from the connector alone, while pulling it towards the car, wrapping it around the enclosure or when trying to get it unstuck.

When manipulating the cable, please ensure the cable's outer insulation and the connector itself do not show any excessive sign of wear such as cracks or signs of abrasion, in which case please contact the FLO Customer Experience team. Contact details are provided in [Service and Support on the previous page](#).

3. FCC Statement - For USA Only

This equipment has been tested and found to comply with the limits for a Class B digital device, pursuant to Part 15 of the FCC Rules. These limits are designed to provide reasonable protection against harmful interference in a residential installation. This equipment generates, uses and can radiate radio frequency energy and, if not installed and used in accordance with the instructions, may cause harmful interference to radio communications. However, there is no guarantee that interference will not occur in a particular installation. If this equipment does cause harmful interference to radio or television reception, which can be determined by turning the equipment off and on, the user is encouraged to try to correct the interference by one or more of the following measures:

- Reorient or relocate the receiving antenna.
- Connect the equipment into an outlet on a circuit different from that to which the receiver is connected.
- Increase the separation between the equipment and receiver.
- Consult the dealer or an experienced radio/television technician for help.



3.1. Supplier's Declaration of Conformity 47 CFR 2.1077 Compliance Information

Unique Identifier: FLO Home™

Model Name	Part Number
FLO Home X6	HOX6F2XXXX HOX6F0XXXX HOX6N2XXXX HOX6N0XXXX
FLO Home X8	HOX8F2XXXX HOX8F0XXXX

NOTE: The X's in the table above represent configuration variables that do not affect the FLO Home installation instructions. X's have been used for visual representation purposes to reflect the set of product codes to which this guide applies.

Responsible Party - U.S. Contact Information

FLO Services
1270 Pacific Dr, Auburn Hills,
Michigan,
United States
48326

1 855 543 8356
Info@flo.com

FCC Compliance Statement

This device complies with part 15 of the FCC rules. Operation is subject to the following two conditions: (1) this device may not cause harmful interference and (2) this device must accept any interference received, including interference that may cause undesired operation.

4. Industry Canada Compliance - For Canada Only

This device contains licence-exempt transmitter(s)/receiver(s) that comply with Innovation, Science and Economic Development Canada's licence-exempt RSS(s). Operation is subject to the following two conditions:

- (1) This device may not cause interference.
- (2) This device must accept any interference, including interference that may cause undesired operation of the device. This device complies with the Canadian ICES-003 Class B specifications. CAN ICES-003(B) / NMB-003 (B).

L'émetteur/récepteur exempt de licence contenu dans le présent appareil est conforme aux CNR d'Innovation, Sciences et Développement économique Canada applicables aux appareils radio exempt de licence. L'exploitation est autorisée aux deux conditions suivantes :

- (1) L'appareil ne doit pas produire de brouillage;*
- (2) L'appareil doit accepter tout brouillage radioélectrique subi, même si le brouillage est susceptible d'en compromettre le fonctionnement. Cet appareil numérique de la classe B est conforme à la norme NMB-003 du Canada.*

5. FLO Limited Warranty on FLO Home Products

The FLO Home™ warranties and liabilities are included in the sections below. Refer to the warranties and liabilities according to your region.

IMPORTANT NOTE: Product warranty registrations are performed through the FLO mobile app. The charger does not need to be connected to internet or paired with a FLO account to complete the warranty registration.

5.1. FLO HOME LIMITED WARRANTY TERMS AND CONDITIONS - United States

This limited warranty (the “Warranty”) is provided by FLO Services USA Inc. dba FLO Charging Solutions USA Inc. in California, with a mailing address at 2800 Rue Louis-Lumière, Suite 100, Québec (Québec) G1P 0A4 Canada (“FLO”).

1) Products. The products covered by this warranty are the FLO Home™ X3, the FLO Home™ X6, and the FLO Home™ X8 (the “Products”).

2) Limited Warranty. Subject to the terms and conditions of this Warranty, including the warranty exclusions and disclaimers set forth below, the Products are warranted to (i) be free of any claim of ownership by third parties, (ii) be free from defects in material and workmanship, and (iii) function in accordance with FLO’s technical specifications, including the installation guide and any technical specifications provided at the time of purchase and any service communications (the “Product Specifications”). This Warranty only applies to the original purchaser named in the original purchase invoice for a Product (the “Purchaser”) from FLO or from a third party authorized by FLO, including a distributor, value-added reseller, retailer, utility, or car dealership (“Authorized Reseller”). For clarity, if a Product is sold by an Authorized Reseller, the Authorized Reseller is not the Purchaser and the Warranty applies to the original purchaser named in the invoice issued by the Authorized Reseller. The Warranty may not be transferred and shall only apply to a Purchaser located in the United States.

3) Warranty Period. This Warranty is valid for a period of five (5) years from date of original purchase by the Purchaser if the Product is used for residential use or for a period of one (1) year from date of original purchase by the Purchaser if the Product is used for commercial use (each, the “Warranty Period”). NO WARRANTIES SHALL APPLY AFTER THE EXPIRATION OF THE APPLICABLE WARRANTY PERIOD.

4) Limited Remedies. If the Purchaser makes a warranty claim in accordance with the procedure set out in Section 5), FLO may require the Purchaser to return the Product or may perform an on-site intervention, at FLO’s sole discretion. If a Product is found by FLO after inspection to be defective or not to function in accordance with the Product Specifications during the Warranty Period, FLO’s sole obligation under this Warranty is limited to performing one of the following actions, at FLO’s sole and absolute discretion:

a) Repair. FLO may repair the Product at its cost. All repaired Products, including any parts replaced in connection with a Product repair, are warranted only for the remainder of the Warranty Period, prolonged only by the period during which the Product was being repaired. Products may be repaired from remanufactured or reconditioned parts that offer substantially similar functionality. All parts that are replaced in connection with a Product repair shall become FLO's sole and exclusive property.

b) Replacement. FLO may replace the Product at its cost. All replaced Products are warranted only for the remainder of the Warranty Period, prolonged only by the period during which the Product was being replaced. All Products replaced in connection with Product replacement shall become FLO's sole and exclusive property.

c) Reimbursement. FLO may reimburse the Purchaser for the purchase price of the Product. Purchaser is responsible for providing proof of the purchase price, failing which FLO may determine the purchase price based on the Product's Manufacturer's Suggested Retail Price. FLO may request the return, at FLO's cost, of any Product for which FLO issues a reimbursement.

This Warranty does not include: (a) any costs related to the removal or reinstallation of any Product in connection with a repair, replacement, or reimbursement, or (b) certain shipping and travel costs described in Section 5).

5) Warranty Claim Procedure. Any claim under this Warranty must be made via FLO Customer Service at service@floo.com to obtain a Return Material Authorization ("RMA") number. As part of the RMA process, the Purchaser may be asked to provide information regarding the Product such as condition, model/serial number and proof of purchase. If FLO requires the Product to be returned to FLO, FLO will provide a shipping label that will cover shipping costs within the United States and, if the Product is eligible for Warranty coverage, FLO shall be responsible for costs related to returning the Product to the Purchaser's address designated in its RMA, so long as the address is in the United States. FLO will not cover costs associated with shipping the Product to FLO from outside the United States and will charge additional fees for returning the Product to Purchaser at an address outside the United States. Customer service contact information is available at www.floo.com. Any Product determined by FLO to be ineligible for service under this Warranty will be returned unrepared, returned repaired, or replaced at the cost and discretion of the Purchaser. In addition, where FLO performed an on-site intervention and the

Product is ineligible for service under this Warranty, FLO reserves the right to charge the Purchaser for all travel time to the Purchaser's site. Prior to any on-site intervention, FLO will provide the Purchaser a quote for any travel costs that would apply in the circumstances described above, and the Purchaser's acceptance thereof will be a condition to FLO performing the on-site inspection.

6) Exclusion of Warranty. This Warranty does not apply to any Product that has been: a) installed or removed by any person other than a licensed electrician in the location in which such installation or removal occurs ("Licensed Electrician"); or b) altered, disassembled or repaired by any person other than an authorized service provider of FLO unless FLO has authorized in writing that such alteration, disassembly or repair may be carried out by a Licensed Electrician in lieu of an authorized service provider; or c) where the original Product identification (e.g. serial number, logos, copyright notices and trademarks) has been removed, altered or degraded. Without in any way limiting the foregoing, the Warranty also does not apply to any damage to a Product resulting from:

(i) improper site preparation, maintenance (including, without limitation, damage resulting from the use of abrasive tools or maintenance products) or installation, neglect, abuse, vandalism or improper use of the Product including any use that is not in accordance with the applicable Product Specifications; (ii) normal wear and tear, cosmetic or superficial damage, normal aging, scratches, stains, dents or exterior fading; (iii) acts of God, accidents (including, without limitation, damage caused by a vehicle), fire or exposure to any other hazard (including, without limitation, extreme power surge, extreme electromagnetic field or any acts of nature such as earthquakes, tornados, floods, vermin, biological infestations, snow, or lightning); (iv) exposure to conditions or inputs or operation of the Product outside the tolerances specified in the Product Specifications; or (v) any other reason beyond FLO's control (including, without limitation, damage resulting from the use of charging adapters not manufactured by an automotive OEM).

7) DISCLAIMERS. OTHER THAN AS SET OUT IN THIS WARRANTY, FLO DISCLAIMS TO THE FULLEST EXTENT PERMITTED BY LAW ALL WARRANTIES AND CONDITIONS OF ANY KIND, WHETHER EXPRESS OR IMPLIED, INCLUDING, BUT NOT LIMITED TO, THE IMPLIED WARRANTIES OF MERCHANTABILITY, FITNESS FOR A PARTICULAR PURPOSE AND NON- INFRINGEMENT WITH RESPECT TO THE PRODUCTS. IF ANY IMPLIED WARRANTY CANNOT BE DISCLAIMED UNDER APPLICABLE LAW, THEN SUCH IMPLIED WARRANTY SHALL BE LIMITED IN DURATION TO THE WARRANTY PERIOD DESCRIBED

ABOVE. NO WARRANTIES APPLY AFTER THE EXPIRATION OF THE WARRANTY PERIOD. FLO DOES NOT WARRANT THAT THE PRODUCTS WILL BE ERROR-FREE OR WILL OPERATE WITHOUT INTERRUPTION.

8) LIMITATION OF LIABILITY. IN NO EVENT SHALL FLO BE LIABLE FOR INDIRECT, SPECIAL, INCIDENTAL, EXEMPLARY, PUNITIVE OR CONSEQUENTIAL DAMAGES OF ANY NATURE (EVEN IF THE ADVENT OF SUCH DAMAGE WAS KNOWN OR COULD HAVE BEEN KNOWN BY FLO) OR ANY CAUSE OF ACTION IN CONNECTION WITH PRODUCT MALFUNCTION OR IN CONNECTION WITH THE PRODUCTS, THEIR PURCHASE, THEIR HANDLING, INSTALLATION OR USE BY THE PURCHASER AND/OR ANY PERSON AUTHORIZED BY THE PURCHASER RESULTING FROM ANY BREACH OF WARRANTY OR CONDITION OR UNDER ANY OTHER LEGAL THEORY, INCLUDING BUT NOT LIMITED TO LOSS OF USE; LOSS OF REVENUE; LOSS OF ACTUAL OR ANTICIPATED PROFITS (INCLUDING LOSS OF PROFITS ON CONTRACTS); LOSS OF THE USE OF MONEY; LOSS OF ANTICIPATED SAVINGS; LOSS OF BUSINESS; LOSS OF OPPORTUNITY; LOSS OF GOODWILL; LOSS OF REPUTATION; LOSS OF OR DAMAGE TO OTHER EQUIPMENT OR PROPERTY SUCH AS AN AUTOMOBILE. IN NO EVENT SHALL FLO'S AGGREGATE LIABILITY FOR ALL CLAIMS RELATED TO THE PRODUCTS AND RELATED SERVICES EXCEED THE PURCHASE PRICE PAID BY THE PURCHASER FOR THE PRODUCTS. THE REMEDIES IN THIS WARRANTY ARE THE PURCHASER'S SOLE AND EXCLUSIVE REMEDIES WITH RESPECT TO DEFECTIVE OR NON-CONFORMING PRODUCTS. SOME JURISDICTIONS DO NOT ALLOW THE EXCLUSION OR LIMITATION OF CERTAIN WARRANTIES, SO THE ABOVE LIMITATION MAY NOT APPLY TO THE PURCHASER. THIS WARRANTY GIVES THE PURCHASER SPECIFIC LEGAL RIGHTS AND THE PURCHASER MAY ALSO HAVE OTHER LEGAL/STATUTORY RIGHTS THAT VARY FROM JURISDICTION TO JURISDICTION. THESE LIMITATIONS OR EXCLUSIONS OF LIABILITY MAY NOT AFFECT SUCH OTHER LEGAL/STATUTORY RIGHTS.

9) Choice of Law. To the extent permitted by applicable law, the Purchaser agrees that this Warranty is governed by and construed under the laws of the State of New York, without reference to its conflict of laws provisions that would require the application of the laws of another jurisdiction.

10) Arbitration, Waiver of Right to Jury Trial, and Class Action Waiver. Any controversy or claim arising out of or relating to this Warranty that is not resolved by negotiation, including with respect to the validity, existence or the breach hereof, shall be determined exclusively by final and binding confidential arbitration, using the English language, administered by the International Centre for Dispute

Resolution in accordance with its International Arbitration Rules. The number of arbitrators will be one. Except as may be required by law, neither party nor its representatives may disclose the existence, content or results of any arbitration related to this Warranty, including the content of any documents exchanged within the arbitration proceedings, without the prior written consent of the other party. To start an arbitration, please complete the form available on the International Centre for Dispute Resolution website: <https://www.icdr.org/>. Notwithstanding the foregoing, each party shall have the right to bring an action in a court of proper jurisdiction for individual injunctive or other equitable or conservatory relief, pending a final decision by the arbitrator. TO THE EXTENT PERMITTED BY APPLICABLE LAW, THE PURCHASER AGREES THAT ALL CLAIMS WILL BE BROUGHT ON AN INDIVIDUAL BASIS, THE PURCHASER WAIVES ANY RIGHT IT MAY HAVE TO START OR PARTICIPATE IN ANY CLASS ACTION AGAINST FLO AND THE PURCHASER AGREES TO OPT OUT OF ANY CLASS PROCEEDING AGAINST FLO. IF FOR ANY REASON A CLAIM PROCEEDS IN COURT RATHER THAN IN ARBITRATION EACH PARTY WAIVES ANY RIGHT TO A JURY TRIAL. SOME JURISDICTIONS DO NOT ALLOW TERMS THAT SUBMIT DISPUTES TO MANDATORY ARBITRATION OR LIMIT CONSUMER RIGHTS TO COMMENCE OR PARTICIPATE IN A CLASS PROCEEDING, SO THE ABOVE TERMS THAT PURPORT TO DO SO MAY NOT APPLY TO THE PURCHASER.

If this arbitration clause is found to be unenforceable by a court of competent jurisdiction, then a competent court in the State of New York will have exclusive jurisdiction to settle any controversy or claim arising out of or relating to this Warranty that is not resolved by negotiation, and for such purposes the parties irrevocably submit to the jurisdiction of such venue and waive any right they may have to object to such venue or to assert the doctrine of forum non-conveniens.

11) Miscellaneous. No Product reseller, agent or employee is authorized to make any modification, extension or addition to this Warranty. However, FLO reserves the right to modify the terms of this Warranty from time to time in its sole discretion and FLO will publish the Warranty in its last updated version on www.flo.com. The Warranty applicable to the Product is the version of the Warranty that was effective on the date of purchase, as determined by the effective date indicated in the footer of the Warranty and the purchase date indicated in an acceptable proof of purchase. If any term of the Warranty is held to be illegal or unenforceable, the remaining terms shall not be affected or impaired. FLO reserves the right to subcontract the performance of its warranty obligations to qualified subcontractors in its sole discretion.



12) Language. A French version of this Warranty is available at:
<http://www.flo.com/fr-CA/>. Une version française de cette garantie est disponible
au: <http://www.flo.com/fr-CA/>.

© 2024. FLO Services USA Inc. dba FLO Charging Solutions USA Inc. in California. All rights reserved.

5.2. FLO HOME LIMITED WARRANTY TERMS AND CONDITIONS - Canada

This limited warranty (the “Warranty”) is provided by AddÉnergie Technologies Inc. dba FLO, with a mailing address at 2800 Rue Louis-Lumière, Suite 100, Québec (Québec) G1P 0A4 Canada (“FLO”).

1) Products. The products covered by this warranty are the FLO Home™ X3, the FLO Home™ X6, and the FLO Home™ X8 (the “Products”).

2) Limited Warranty. Subject to the terms and conditions of this Warranty, including the warranty exclusions and disclaimers set forth below, the Products are warranted to (i) be free of any claim of ownership by third parties, (ii) be free from defects in material and workmanship, and (iii) function in accordance with FLO’s technical specifications, including the installation guide and any technical specifications provided at the time of purchase and any service communications (the “Product Specifications”). This Warranty only applies to the original purchaser named in the original purchase invoice for a Product (the “Purchaser”) from FLO or from a third party authorized by FLO, including a distributor, value-added reseller, retailer, utility, or car dealership (“Authorized Reseller”). For clarity, if a Product is sold by an Authorized Reseller, the Authorized Reseller is not the Purchaser and the Warranty applies to the original purchaser named in the invoice issued by the Authorized Reseller. The Warranty may not be transferred and shall only apply to a Purchaser located in Canada.

3) Warranty Period. This Warranty is valid for a period of five (5) years from date of original purchase by the Purchaser if the Product is used for residential use or for a period of one (1) year from date of original purchase by the Purchaser if the Product is used for commercial use (each, the “Warranty Period”). NO WARRANTIES SHALL APPLY AFTER THE EXPIRATION OF THE APPLICABLE WARRANTY PERIOD.

4) Limited Remedies. If the Purchaser makes a warranty claim in accordance with the procedure set out in Section 5), FLO may require the Purchaser to return the Product or may perform an on-site intervention, at FLO’s sole discretion. If a Product is found by FLO after inspection to be defective or not to function in accordance with the Product Specifications during the Warranty Period, FLO’s sole obligation under this Warranty is limited to performing one of the following actions, at FLO’s sole and absolute discretion:

a) Repair. FLO may repair the Product at its cost. All repaired Products, including any parts replaced in connection with a Product repair, are warranted only for the remainder of the Warranty Period, prolonged only by the period during which the Product was being repaired. Products may be repaired from remanufactured or reconditioned parts that offer substantially similar functionality. All parts that are replaced in connection with a Product repair shall become FLO's sole and exclusive property.

b) Replacement. FLO may replace the Product at its cost. All replaced Products are warranted only for the remainder of the Warranty Period, prolonged only by the period during which the Product was being replaced. All Products replaced in connection with Product replacement shall become FLO's sole and exclusive property.

c) Reimbursement. FLO may reimburse the Purchaser for the purchase price of the Product. Purchaser is responsible for providing proof of the purchase price, failing which FLO may determine the purchase price based on the Product's Manufacturer's Suggested Retail Price. FLO may request the return, at FLO's cost, of any Product for which FLO issues a reimbursement.

This Warranty does not include: (a) any costs related to the removal or reinstallation of any Product in connection with a repair, replacement, or reimbursement, or (b) certain shipping and travel costs described in Section 5).

5) Warranty Claim Procedure. Any claim under this Warranty must be made via FLO Customer Service at service@flo.com to obtain a Return Material Authorization ("RMA") number. As part of the RMA process, the Purchaser may be asked to provide information regarding the Product such as condition, model/serial number and proof of purchase. If FLO requires the Product to be returned to FLO, FLO will provide a shipping label that will cover shipping costs within Canada and, if the Product is eligible for Warranty coverage, FLO shall be responsible for costs related to returning the Product to the Purchaser's address designated in its RMA, so long as the address is in Canada. FLO will not cover costs associated with shipping the Product to FLO from outside Canada and will charge additional fees for returning the Product to Purchaser at an address outside Canada. Customer service contact information is available at www.flo.com. Any Product determined by FLO to be ineligible for service under this Warranty will be returned unrepaired, returned repaired, or replaced at the cost and discretion of the Purchaser. In addition, where FLO performed an on-site intervention and the Product is ineligible for service under

this Warranty, FLO reserves the right to charge the Purchaser for all travel time to the Purchaser's site. Prior to any on-site intervention, FLO will provide the Purchaser a quote for any travel costs that would apply in the circumstances described above, and the Purchaser's acceptance thereof will be a condition to FLO performing the on-site inspection.

6) Exclusion of Warranty. This Warranty does not apply to any Product that has been: a) installed or removed by any person other than a licensed electrician in the location in which such installation or removal occurs ("Licensed Electrician"); or b) altered, disassembled or repaired by any person other than an authorized service provider of FLO unless FLO has authorized in writing that such alteration, disassembly or repair may be carried out by a Licensed Electrician in lieu of an authorized service provider; or c) where the original Product identification (e.g. serial number, logos, copyright notices and trademarks) has been removed, altered or degraded. Without in any way limiting the foregoing, the Warranty also does not apply to any damage to a Product resulting from:

(i) improper site preparation, maintenance (including, without limitation, damage resulting from the use of abrasive tools or maintenance products) or installation, neglect, abuse, vandalism or improper use of the Product including any use that is not in accordance with the applicable Product Specifications; (ii) normal wear and tear, cosmetic or superficial damage, normal aging, scratches, stains, dents or exterior fading; (iii) acts of God, accidents (including, without limitation, damage caused by a vehicle), fire or exposure to any other hazard (including, without limitation, extreme power surge, extreme electromagnetic field or any acts of nature such as earthquakes, tornados, floods, vermin, biological infestations, snow, or lightning); (iv) exposure to conditions or inputs or operation of the Product outside the tolerances specified in the Product Specifications; or (v) any other reason beyond FLO's control (including, without limitation, damage resulting from the use of charging adapters not manufactured by an automotive OEM).

7) DISCLAIMERS. OTHER THAN AS SET OUT IN THIS WARRANTY, FLO DISCLAIMS TO THE FULLEST EXTENT PERMITTED BY LAW ALL WARRANTIES AND CONDITIONS OF ANY KIND, WHETHER EXPRESS OR IMPLIED, INCLUDING, BUT NOT LIMITED TO, THE IMPLIED WARRANTIES OF MERCHANTABILITY, FITNESS FOR A PARTICULAR PURPOSE AND NON- INFRINGEMENT WITH RESPECT TO THE PRODUCTS. IF ANY IMPLIED WARRANTY CANNOT BE DISCLAIMED UNDER APPLICABLE LAW, THEN SUCH IMPLIED WARRANTY SHALL BE LIMITED IN DURATION TO THE WARRANTY PERIOD DESCRIBED

ABOVE. NO WARRANTIES APPLY AFTER THE EXPIRATION OF THE WARRANTY PERIOD. FLO DOES NOT WARRANT THAT THE PRODUCTS WILL BE ERROR-FREE OR WILL OPERATE WITHOUT INTERRUPTION.

8) LIMITATION OF LIABILITY. IN NO EVENT SHALL FLO BE LIABLE FOR INDIRECT, SPECIAL, INCIDENTAL, EXEMPLARY, PUNITIVE OR CONSEQUENTIAL DAMAGES OF ANY NATURE (EVEN IF THE ADVENT OF SUCH DAMAGE WAS KNOWN OR COULD HAVE BEEN KNOWN BY FLO) OR ANY CAUSE OF ACTION IN CONNECTION WITH PRODUCT MALFUNCTION OR IN CONNECTION WITH THE PRODUCTS, THEIR PURCHASE, THEIR HANDLING, INSTALLATION OR USE BY THE PURCHASER AND/OR ANY PERSON AUTHORIZED BY THE PURCHASER RESULTING FROM ANY BREACH OF WARRANTY OR CONDITION OR UNDER ANY OTHER LEGAL THEORY, INCLUDING BUT NOT LIMITED TO LOSS OF USE; LOSS OF REVENUE; LOSS OF ACTUAL OR ANTICIPATED PROFITS (INCLUDING LOSS OF PROFITS ON CONTRACTS); LOSS OF THE USE OF MONEY; LOSS OF ANTICIPATED SAVINGS; LOSS OF BUSINESS; LOSS OF OPPORTUNITY; LOSS OF GOODWILL; LOSS OF REPUTATION; LOSS OF OR DAMAGE TO OTHER EQUIPMENT OR PROPERTY SUCH AS AN AUTOMOBILE. IN NO EVENT SHALL FLO'S AGGREGATE LIABILITY FOR ALL CLAIMS RELATED TO THE PRODUCTS AND RELATED SERVICES EXCEED THE PURCHASE PRICE PAID BY THE PURCHASER FOR THE PRODUCTS. THE REMEDIES IN THIS WARRANTY ARE THE PURCHASER'S SOLE AND EXCLUSIVE REMEDIES WITH RESPECT TO DEFECTIVE OR NON-CONFORMING PRODUCTS. SOME JURISDICTIONS DO NOT ALLOW THE EXCLUSION OR LIMITATION OF CERTAIN WARRANTIES, SO THE ABOVE LIMITATION MAY NOT APPLY TO THE PURCHASER. THIS WARRANTY GIVES THE PURCHASER SPECIFIC LEGAL RIGHTS AND THE PURCHASER MAY ALSO HAVE OTHER LEGAL/STATUTORY RIGHTS THAT VARY FROM JURISDICTION TO JURISDICTION. THESE LIMITATIONS OR EXCLUSIONS OF LIABILITY MAY NOT AFFECT SUCH OTHER LEGAL/STATUTORY RIGHTS.

9) Choice of Law. To the extent permitted by applicable law, the Purchaser agrees that this Warranty is governed by and construed under the laws of the Purchaser's province of residence and the federal laws of Canada applicable therein, without reference to its conflict of laws provisions that would require the application of the laws of another jurisdiction.

10) Arbitration, Waiver of Right to Jury Trial, and Class Action Waiver. Any controversy or claim arising out of or relating to this Warranty that is not resolved by negotiation, including with respect to the validity, existence or the breach hereof, shall be determined exclusively by final and binding confidential arbitration, using

the English language, administered by the International Centre for Dispute Resolution Canada in accordance with its Canadian Arbitration Rules. The number of arbitrators will be one. Except as may be required by law, neither party nor its representatives may disclose the existence, content or results of any arbitration related to this Warranty, including the content of any documents exchanged within the arbitration proceedings, without the prior written consent of the other party. To start an arbitration, please complete the form available on the ICDR Canada website: <https://www.icdr.org/icdrcanada>.

Notwithstanding the foregoing, each party shall have the right to bring an action in a court of proper jurisdiction for individual injunctive or other equitable or conservatory relief, pending a final decision by the arbitrator. TO THE EXTENT PERMITTED BY APPLICABLE LAW, THE PURCHASER AGREES THAT ALL CLAIMS WILL BE BROUGHT ON AN INDIVIDUAL BASIS, THE PURCHASER WAIVES ANY RIGHT IT MAY HAVE TO START OR PARTICIPATE IN ANY CLASS ACTION AGAINST FLO AND THE PURCHASER AGREES TO OPT OUT OF ANY CLASS PROCEEDING AGAINST FLO. IF FOR ANY REASON A CLAIM PROCEEDS IN COURT RATHER THAN IN ARBITRATION EACH PARTY WAIVES ANY RIGHT TO A JURY TRIAL. SOME JURISDICTIONS DO NOT ALLOW TERMS THAT SUBMIT DISPUTES TO MANDATORY ARBITRATION OR LIMIT CONSUMER RIGHTS TO COMMENCE OR PARTICIPATE IN A CLASS PROCEEDING, SO THE ABOVE TERMS THAT PURPORT TO DO SO MAY NOT APPLY TO THE PURCHASER.

If this arbitration clause is found to be unenforceable by a court of competent jurisdiction, then the Superior Court of the Purchaser's province of residence will have exclusive jurisdiction to settle any controversy or claim arising out of or relating to this Warranty that is not resolved by negotiation, and for such purposes the parties irrevocably submit to the jurisdiction of such venue and waive any right they may have to object to such venue or to assert the doctrine of forum non-coveniens.

11) Miscellaneous. No Product reseller, agent or employee is authorized to make any modification, extension or addition to this Warranty. However, FLO reserves the right to modify the terms of this Warranty from time to time in its sole discretion and FLO will publish the Warranty in its last updated version on www.flo.com. The Warranty applicable to the Product is the version of the Warranty that was effective on the date of purchase, as determined by the effective date indicated in the footer of the Warranty and the purchase date indicated in an acceptable proof of purchase. If any term of the Warranty is held to be illegal or unenforceable, the

remaining terms shall not be affected or impaired. FLO reserves the right to subcontract the performance of its warranty obligations to qualified subcontractors in its sole discretion.

12) Language. A French version of this Warranty is available at: <http://www.flo.com/fr-CA/>. Une version française de cette garantie est disponible au: <http://www.flo.com/fr-CA/>.

© 2024. AddÉnergie Technologies Inc. dba FLO. All rights reserved.

6. Copyright and Liability

Document Name: FLO_FLO Home X6 and X8_Installation Guide_V.1.0.0_2024-07-30
_CA_US_EN

Document ID: PRFM0113

FLO CA: © 2024 Services FLO Inc., All rights reserved. FLO, the FLO logo, LEAD THE WAY, and TRACEZ LA VOIE are trademarks of Services FLO Inc. ADDÉNERGIE is a trademark of AddÉnergie Technologies Inc. used under license by Services FLO Inc.

FLO US: © 2024 FLO Services USA Inc., All rights reserved. FLO, the FLO logo, LEAD THE WAY, and TRACEZ LA VOIE are trademarks of Services FLO Inc. used under license by FLO Services USA Inc. ADDÉNERGIE is a trademark of AddÉnergie Technologies Inc. used under license by FLO Services USA Inc.

This document is provided as a general instruction guide. All pictures shown are for illustration purposes only. Actual stations may vary in size or due to product enhancements, in which case additional steps may be required. AddÉnergie Technologies Inc. and its subsidiaries (“AddÉnergie”) reserve the right to alter this document and any product offerings and specifications at any time without notice and AddÉnergie does not guarantee that that this version of the document is current. It is your responsibility to comply with all applicable laws, including those related to accessibility, zoning, and to exercise due diligence when conducting an installation or using this product. Careless installation or use may result in injury or product damage. To fullest extent permitted by applicable laws, AddÉnergie disclaims any liability for personal injury or property damage resulting from the installation or use of this product.



Learn more

info@flo.com

1 (855) 543-8356

flo.com

Eastern office: 2800, Louis-Lumière Street, office 100, Québec (QC) G1P 0A4 CANADA

Regional office - Western Canada: #501 - 4190 Lougheed Highway Burnaby (British Columbia), Canada, V5C 6A8

United-States Office: 1270 Pacific Dr, Auburn Hills, MI, United States - 48326