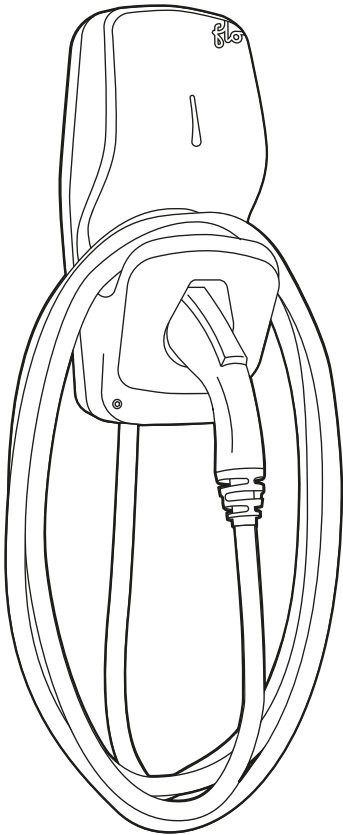




FLO Home G5 Model

Installation guide



Languages

English	3
Français	18

Assistance

A customer experience or technical support representative can assist you!

Customer and Technical Support

For any questions regarding charging station installation, configuration or any technical problem.

1-855-543-8356

You can also contact us at:

service@flo.com

Un représentant du service à la clientèle ou un agent du soutien technique peut vous aider !

Service à la clientèle et Soutien technique

Pour toutes questions relatives à l'installation et à la configuration des bornes de recharge, ou tout autres problèmes techniques.

1-855-543-8356

Vous pouvez également nous contacter:

service@flo.com

Table of Contents

Assistance	2
Safety Instructions	4
Before You Install	5
Box Contents	6
Installing the Station	7
Setting the Current Limit	10
Light Indicator	12
Charging Station Serial Number	13
Warranty - USA	14
Warranty - CA	16

Technical Specifications

Casing: 100% aluminum type 4X Certified, designed for outdoor or indoor installation

Finish: Anthracite grey with high resistance coating

Voltage: 208 - 240 V @ 60 Hz

Output Current: 30 A

Maximum Output Power: 7.2 kW @ 240 V or 6.2 kW @ 208 V

Cable: 7.62 m (25 ft) ultra-flexible cable

Charging Connector: SAE J1772 designed to withstand over 10,000 charging cycles

Security Features: Integrated GFCI circuit breaker (20 mA, 3 reset attempts at 15-minute intervals)

Operating Temperature: -40 °C to 50 °C (-40 °F to 122 °F)

Weight with cable, connector and mounting plate: 11.23 kg (24.76 lbs)

Communication Interface: None

The connector style may vary

Terminal block: maximum size 6AWG

Safety Instructions

INSTRUCTIONS PERTAINING TO A RISK OF FIRE OR ELECTRIC SHOCK SAVE THESE INSTRUCTIONS!

WARNING: When using electrical appliances, basic precautions should always be followed. This manual contains important instructions that must be followed when installing, operating and maintaining the unit. **Please read this guide carefully before attempting to install the charging station.**

1. **CAUTION** -To reduce the risk of fire, connect only to a branch circuit provided with a maximum surge protection of 40 A in accordance with the Canadian Electrical Code (CSA C22.1-12) and the National Electrical Code (ANSI / NFPA 70).
2. This charging station has been designed for wall or post mounting.
3. Ensure that the mounting surface for the wall or pole is strong enough to support the weight of the charging station and that the anchors used are compatible with the surface.
4. Verify that there is no piping, electrical installation or underground electrical installation in the area where you will install the station, to avoid serious injuries.
5. Connect the power supply of the charging station with caliber 6 AWG to 8 AWG copper conductors rated for usage at a temperature of at least 75 °C.
6. This product must be connected to a grounded, metal, permanent wiring system, or an equipment-grounding conductor must be run with the circuit conductors and connected to the equipment grounding terminal and installed by a certified electrician.
7. Communicate with a certified contractor, certified electrician or trained installer to ensure compliance with local building code, regulation, security standards and weather conditions.
8. Any modification to any part of the charging station will void the warranty.
9. Handle parts with care, since they can be sharp-edged. Always use safety glasses and gloves when unpacking and installing.
10. The power supply cables of the charging station must be rated FT2 minimum.
11. The input cable strain relief connector, conduits or armed-cable bushings and adapter:
 - A) have to be certified for both Canada and USA;
 - B) have to be waterproof (type 4X);
 - C) have to be suitable for the outside diameter of the chosen cable and suitable for mounting into a 28.17 mm (1.109 in) diameter opening (for connection through the bottom or back cable opening).

General safety instructions

This device should be supervised when used around children.

Never insert your finger into the electric vehicle connection.

Never use the charging station if the flexible power cord or EV cable is frayed, has broken insulation, or any other signs of damage.

Never use the charging station if the enclosure or the EV connector is broken, cracked, open, or shows any other signs of damage.

This charging station was designed to be used with electric vehicles equipped with a SAE J1772 connector.

This charging station is to be used to charge vehicles that do not require a ventilated environment during charging.

Always disconnect the power supply of the charging station before servicing.

Before You Install

IMPORTANT CONSIDERATIONS WHEN INSTALLING THE STATION

The station must be installed by a certified electrician.

The station has built-in protection against overvoltage conditions and leakage current to ground.

Any alteration to any part of the charging station will void the warranty.

Connecting your new charging station requires:

- Single-Phase 120/240 VAC supply (figure 1) or 3-Phase 120/208 VAC supply (figure 2)
- Using 6 to 8 AWG copper conductors
- Protection by a two-pole 40A circuit breaker
- 2 phases and a ground connection with 120 VAC between each phase and ground

NOTE: neutral is not required.

Maximum output power: 7.2 kW @ 240 V or 6.2 kW @ 208 V

Figure 1

Single-Phase 120/240 VAC

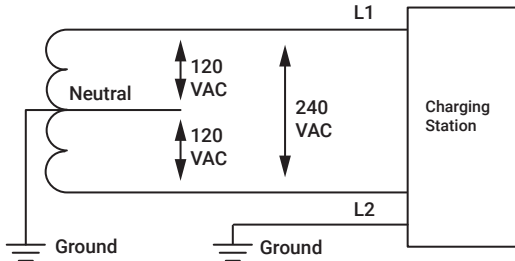
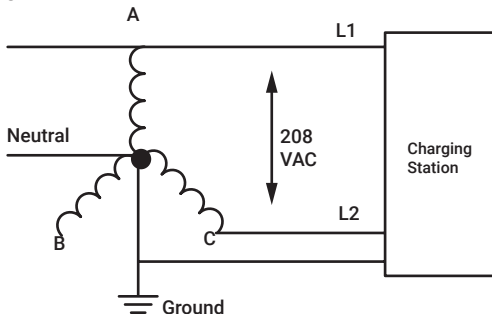


Figure 2

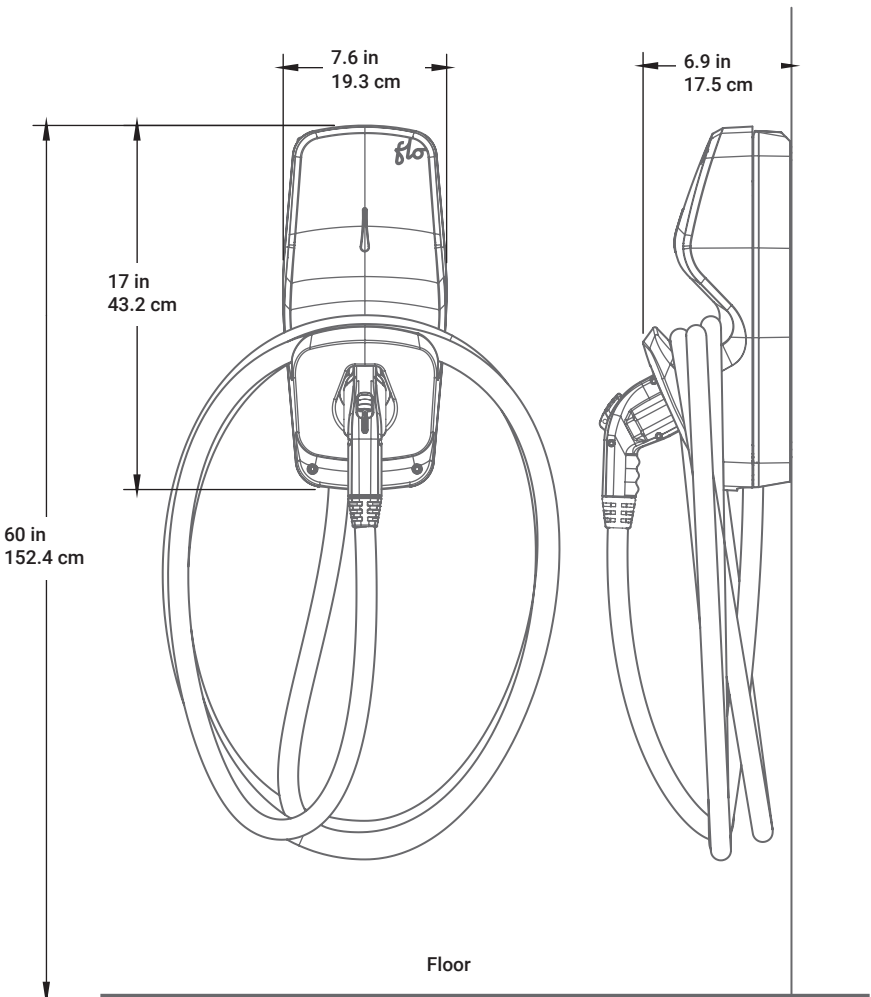
3-Phase 120/208 VAC



Box Contents

- 1 Charging station
 - 2 Cable and charging connector
 - 3 Wall mounting plate
-

Recommended height to facilitate handling of the connector, as well as preventing the cable from touching the ground.

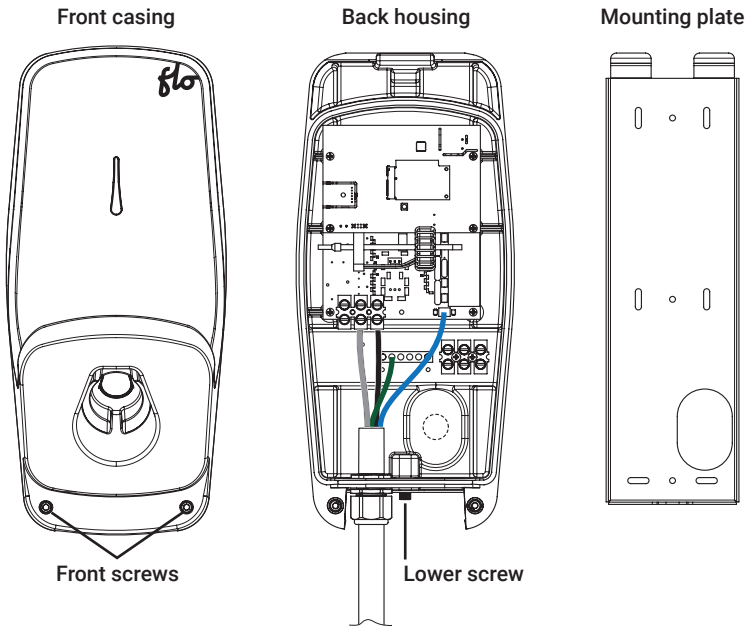


Installing the Station

Designed for single home applications

WARNING: Your charging station must be installed by a licensed electrician.

- 1 Disassemble the front casing by removing the 2 front screws and then separate the mounting plate by unscrewing the lower screw.



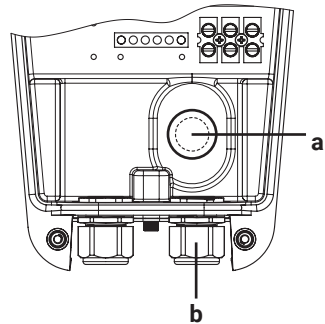
NOTE

The power supply cable can be inserted from the rear (a) or from under (b) the station:

- 3/4" knockout (a) and (b)
- Remove a single cap
- Strain relief connector not included

The input cable strain relief, conduits or armed-cable bushings and adapter:

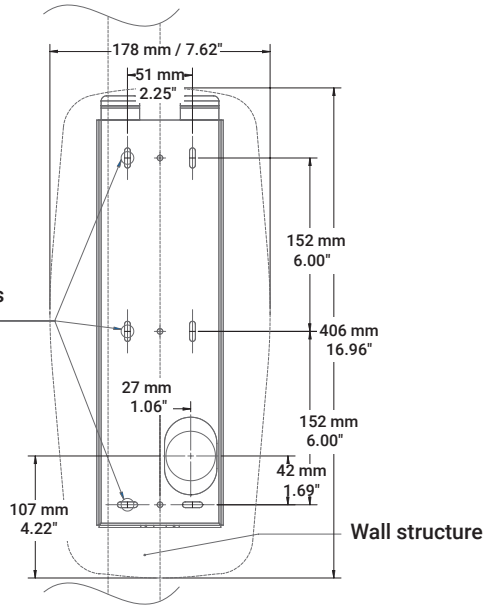
- A) have to be certified for both Canada and USA;
- B) have to be waterproof (type 4X);
- C) have to be suitable for the outside diameter of the chosen cable and suitable for mounting into a 28.17 mm (1.109 in) diameter opening (for connection through the bottom or back cable opening).



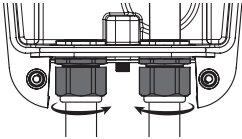
- 2 Use the mounting plate as a drilling template after determining the input to be used, either at the rear or under the station.

- 3** Hang the mounting plate securely to a stable surface using a minimum of 3 anchor screws.

Anchoring screws
Minimum of 3
Maximum of 6

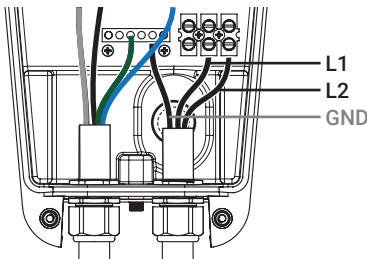


- 4** Insert the conductors and secure the strain relief connector to the housing so that the conductors are long enough to reach the terminals.
- 5** Tighten the connector lock-nut. Ensure the wire is secure.



- 6** Secure the housing of the station to the mounting plate.
- 7** Screw the lower screw to secure the mounting.

- 8** Connect the ground wire (GND) and the two power wires (L1 and L2). Ensure the wire is secure.



Nominal torque for wires

L1-L2:	6 AWG = 16 lbs-in
	8 AWG = 16 lbs-in
GND:	6 AWG = 45 lbs-in
	8 AWG = 40 lbs-in

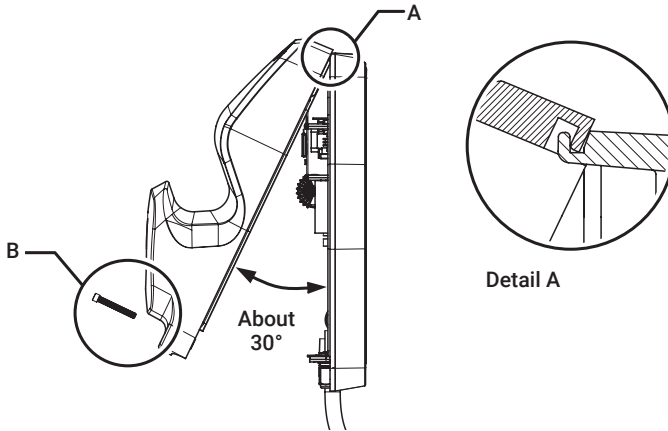
WARNING:

Always use a manual screwdriver; DO NOT use an Impact Driver for the station screws, in which case the warranty would no longer be valid.

9 Install the front housing of the charging station:

A) Hang the top by presenting the front housing at an angle of about 30 degrees, then pivot vertically without forcing.

B) Tighten the 2 front screws with a nominal torque of 55 lbs-in.



10 Switch on the electrical circuit breaker.

Setting the Current Limit

By default, the FLO Home G5 is set to maximum power (factory). If your home's electrical infrastructure does not allow the charging station at maximum power (or preventing any potential current overload), it can be reduced using the Current Limiter Switch.

L 6GC>C</Ndj gX] Vg, ^\ hi Vi ^dc b j hi VZ ^chi VaZY Vm V aXZchZY Z aXi gX Vc#

Procedure

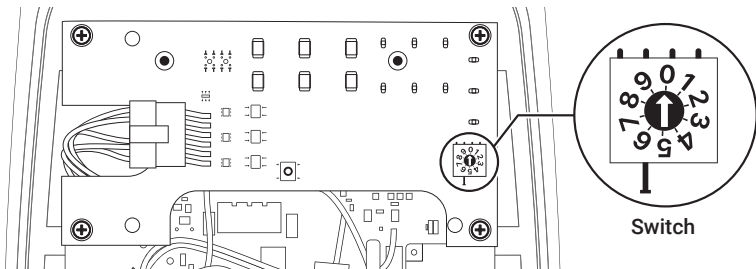
1 Switch "OFF" the charging station:

- A) In the Breaker Panel set the circuit breaker switching the charging station to "OFF".
- B) Confirm the charging station's Light Indicator is "OFF".

CDI : /7Z[dg] VcYac \ i] Z X] Vg, ^\ hi Vi ^dc l j hZ V b j a b Zi Zg id Y Zi Zg b ^cZ""
{ Vc Z a Xi g X Va X W V ^ h] di # @ Z Z e ^ c b ^ c Y ! ^ h ^ e d h V V Z [d g b d g i] Vc""
dcZ1 ^ g Z id V V ak Z #

2 Remove charging station front housing (See p. 9).

3 Locate Current Limiters switch.



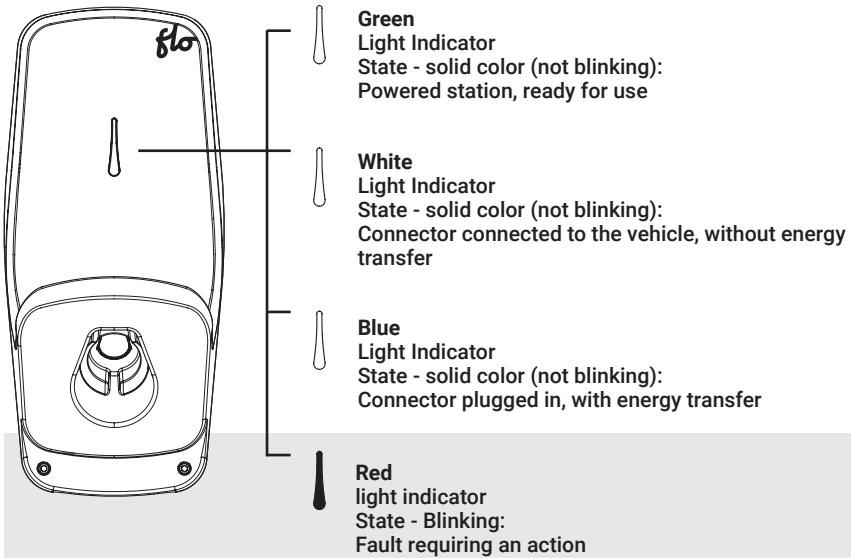
- 4** Using a flat-bladed screwdriver, gently rotate the Switch to the desired position. (See table below).

Current Limiters Switch Position	G5 charging station Power (A)	Circuit Breaker (A) * in Breaker Panel
0	30	40
1	27	35
2	24	30
3	20	25
4	16	20
5	12	15
6	8	10
7	6	10
8	Not Used	Not Used
9	Not Used	Not Used

- 5** Put back the front housing.
- 6** Switch "ON" the charging station.

Station Status

light indicator

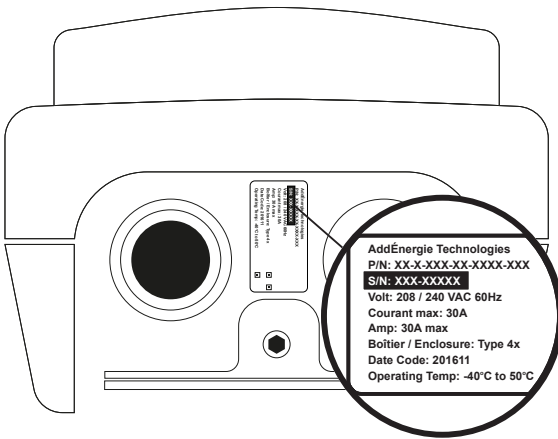
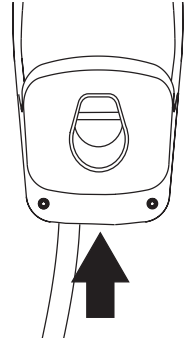


1 time	No ground connection (switch off the station and check electrical installation)
2 times	Ground fault (the charging station will attempt to automatically restart the charging session after 15 minutes)
3 times	Ventilation required for vehicle (please contact our technical support)
4 times	Communication error with the vehicle (please contact our technical support)
5 times	Internal error (switch off the station and then restart it and if the problem persists, contact our technical support)
6 times	Maximum ground fault during a load session (switch off the station and then restart it and if the problem persists, contact our technical support)
7+ times	Internal error (switch off the station and then restart it and if the problem persists, contact our technical support)

Charging Station Serial Number

When contacting the customer or technical support, you may be required to provide your charging station serial number. If you do not know your charging station serial number, you can find it at the bottom of the charging station right beside the connector cable.

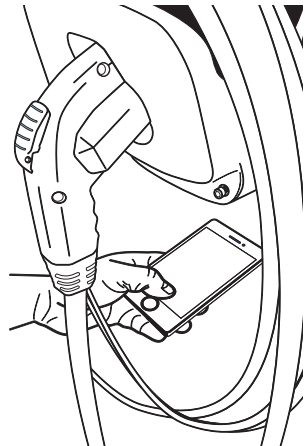
If you have any problems locating the serial number, follow the procedure below.



FLO Home charging station
bottom view

If you have a smart phone

- 1 Open the camera app and press the “reverse camera” icon.
- 2 Hold your smart phone at a 20° angle under the charging station.
- 3 Line up the phone screen with the serial number sticker.
- 4 When you see the sticker take the picture.



Warranty USA

Compliance



IC statement: CAN ICES-3 (B)/NMB-3 (B)

This device complies with Industry Canada licence-exempt RSS standard(s). Operation is subject to the following two conditions: (1) this device may not cause interference, and (2) this device must accept any interference, including interference that may cause undesired operation of the device.

FCC statement (for USA only)

This equipment has been tested and found to comply with the limits for a Class B digital device, pursuant to Part 15 of the FCC Rules. Operation is subject to the following two conditions: (1) This device may not cause harmful interference, and (2) this device must accept any interference received, including interference that may cause undesired operation. Changes or modifications not expressly approved by the manufacturer could void the user's authority to operate this device. These limits are designed to provide reasonable protection against harmful interference in a residential installation. This equipment generates, uses and can radiate radio frequency energy and, if not installed and used in accordance with the instructions, may cause harmful interference to radio communications. However, there is no guarantee that interference will not occur in a particular installation. If this equipment does cause harmful interference to radio or television reception, which can be determined by turning the equipment off and on, the user is encouraged to try to correct the interference by one or more of the following measures: Reorient or relocate the receiving antenna; Increase the separation between the equipment and receiver; Connect the equipment into an outlet on a circuit different from that to which the receiver is connected; Consult the dealer or an experienced radio/television technician for help.

This equipment complies with FCC radiation exposure limits set forth for an uncontrolled environment. In order to avoid the possibility of exceeding the FCC radio frequency exposure limits, human proximity to the antenna shall not be less than 20 cm during normal operation.

Compliance with safety standards.

-CSA C22.2 No. 0-10 General Requirements – Canadian Electrical code, part II.

-CSA C22.2 No. 281.1-12/UL2231-1 Standard for safety for personnel protection systems for electrical vehicle (EV) supply circuits: General requirements.

-CSA C22.2 No. 281.2-12/UL2231-2 Standard for safety for personnel protection systems for electric vehicle (EV) supply circuits: Particular requirements for protection devices for use in charging systems.

-CSA C22.2 No. 280-13/UL2594 (1st edition) Electric vehicle supply equipment (EVSE).

-CSA C22.2 No. 0.8-12 Safety functions incorporating electronic technology.

-UL1998 Standard for software in programmable components.

-UL991 Standard for Tests for Safety-Related Controls Employing Solid-State Devices.

-NEC 2014 section 625.

Compliance with electric standards

Energy Star® 1.2

FLO Home

This Limited Warranty (the "Warranty") is provided by FLO Services USA Inc. principal office at offices located at Corporation Trust Center, 1209 Orange Street, Wilmington, New Castle County, Delaware 19801, USA.

1. The products covered by this warranty are the FLO Home G5 Model and the FLO Home X5 Model (hereinafter referred to as the "Products").

2. Limited Warranty. Subject to the warranty exclusions described below, the Products are warranted to (i) be free from defects in material and workmanship and (ii) function in accordance with FLO's technical specifications applicable, including the user manual and any technical specifications provided at the time of purchase and any service communications (the "Product Specifications"). This Warranty only applies to the original purchaser named in the original purchase invoice for a Product (the "Purchaser"), may not be transferred and shall only apply to purchasers located in the U.S.

3. **Warranty Period.** This Warranty is valid for a period of five (5) years (the “Warranty Period”) from date of original purchase by the Purchaser. NO WARRANTIES SHALL APPLY AFTER THE EXPIRATION OF THE APPLICABLE WARRANTY PERIOD.

4. **Limited Remedies.** If a Product is found by FLO after inspection to be defective or to not function in accordance with the Technical Specifications during the Warranty Period FLO’s sole obligation under this Warranty is limited to performing one of the following actions, at FLO’s sole and absolute discretion: (1) repairing; (2) replacing or (3) reimbursing the Purchaser for the purchase price of the Product, at FLO’s sole and absolute discretion. All replacement or repaired Products are warranted only for the remainder of the original Warranty Period, prolonged only by the period during which the Product was being repaired or You acknowledge that replacement parts or Products may be remanufactured or reconditioned parts or Products which offer substantially similar functionality. Moreover, all original parts or Products that are replaced shall become FLO’s sole and exclusive property. This Warranty covers both parts and labor necessary to repair or replace your eligible Product, but does not include: (a) any on-site labor costs related to removal or reinstallation of the repaired or replacement Product (each of which shall be performed upon your approval and at FLO’s then-current service rate and charges), or (b) certain shipping costs described below.

5. **Warranty Claim Procedure.** Any claim under this Warranty must be made via e-mail to FLO Customer Service at service@flo.com to obtain a Return Material Authorization (“RMA”) As part of the RMA process, you may be asked to provide information regarding the Product such as condition, model/serial number and proof of purchase. FLO will provide a shipping label that will cover mailing costs associated with transporting the Product within the United States only to FLO for evaluation and, if the product is eligible for Warranty, coverage, FLO shall be responsible for costs related to returning the Product to the Purchaser’s address designated in its RMA, so long as the address is within the United States. FLO will not cover costs associated with shipping the Product from another country. Additional fees will apply to return the Product to an address in another country. Customer service contact information is at www.flo.com. Any Product determined to be ineligible for service under this Warranty will be returned, repaired or replaced upon your approval at FLO’s then-current service rate and charges.

6. **Exclusion of FLO’s Warranty** does not apply to any Product that has been installed, removed, handled, altered, disassembled or repaired by any person other than a service provider authorized by FLO, or where the original Product identification (e.g. serial number, logos, copyright notices and trademarks) has been removed, altered or degraded. The Warranty does not apply to any damage to a Product resulting from: (i) improper site preparation or maintenance, installation, neglect (including damage caused by a vehicle), abuse, vandalism or improper use of the Product including any use that is not in accordance with the applicable Product Specifications; (ii) normal wear and tear, cosmetic or superficial damage, normal aging, scratches, stains, dents or exterior fading; (iii) accident, fire or exposure to any other hazard (including extreme power surge, extreme electromagnetic field or any acts of nature such as earthquakes, tornados, floods, biological infestations, snow, lightning, etc.) or (iv) any other reason beyond FLO’s control. OTHER THAN AS SET OUT IN THIS WARRANTY, FLO DISCLAIMS TO THE FULLEST EXTENT PERMITTED BY LAW ALL WARRANTIES AND CONDITIONS OF ANY KIND, WHETHER EXPRESS OR IMPLIED, INCLUDING, BUT NOT LIMITED TO, THE IMPLIED WARRANTIES AND CONDITIONS OF MERCHANTABILITY, FITNESS FOR A PARTICULAR PURPOSE AND NON-INFRINGEMENT WITH RESPECT TO THE PRODUCTS. IN NO EVENT SHALL FLO BE LIABLE FOR INDIRECT, SPECIAL, INCIDENTAL, EXEMPLARY, PUNITIVE OR CONSEQUENTIAL DAMAGES OF ANY NATURE (EVEN IF THE ADVENT OF SUCH DAMAGE WAS KNOWN OR COULD HAVE BEEN KNOWN BY FLO) OR ANY CAUSE OF ACTION IN CONNECTION WITH PRODUCT MALFUNCTION OR IN CONNECTION WITH THE PRODUCTS, THEIR PURCHASE, THEIR HANDLING, INSTALLATION OR USE BY THE PURCHASER AND/OR ANY PERSON AUTHORIZED BY THE PURCHASER RESULTING FROM ANY BREACH OF WARRANTY OR CONDITION OR UNDER ANY OTHER LEGAL THEORY, INCLUDING BUT NOT LIMITED TO LOSS OF USE; LOSS OF REVENUE; LOSS OF ACTUAL OR ANTICIPATED PROFITS (INCLUDING LOSS OF PROFITS ON CONTRACTS); LOSS OF THE USE OF MONEY; LOSS OF ANTICIPATED SAVINGS; LOSS OF BUSINESS; LOSS OF OPPORTUNITY; LOSS OF GOODWILL; LOSS OF REPUTATION; LOSS OF OR DAMAGE TO OTHER PROPERTY SUCH AS AN AUTOMOBILE; OR ANY INDIRECT OR CONSEQUENTIAL LOSS OR DAMAGE HOWSOEVER CAUSED INCLUDING THE REPLACEMENT OF EQUIPMENT AND PROPERTY. FLO does not warrant that the Products or related services will be error-free or will operate without interruption. IN NO EVENT SHALL FLO’S AGGREGATE LIABILITY FOR ALL CLAIMS RELATED TO THE PRODUCTS AND RELATED SERVICES TO YOU EXCEED THE PURCHASE PRICE YOU PAID FOR THE PRODUCTS. THE REMEDIES IN THIS WARRANTY ARE YOUR SOLE AND EXCLUSIVE REMEDIES. SOME JURISDICTIONS DO NOT ALLOW THE EXCLUSION OR LIMITATION OF CERTAIN WARRANTIES, SO THE ABOVE LIMITATION MAY NOT APPLY TO YOU. No Product reseller, agent or employee is authorized to make any modification, extension or addition to this Warranty. If any term is held to be illegal or unenforceable, the remaining terms shall not be affected or impaired. This Warranty is governed by and construed under the laws of the state of Delaware, exclusive of its conflicts of laws principles. The U.N. Convention on Contracts for the International Sale of Goods shall not apply.

© 2023. FLO Services USA Inc. All rights reserved.

Warranty CA

Compliance

IC statement: CAN ICES-3 (B)/NMB-3 (B)

254081

This device complies with Industry Canada licence-exempt RSS standard(s). Operation is subject to the following two conditions: (1) this device may not cause interference, and (2) this device must accept any interference, including interference that may cause undesired operation of the device.

FCC statement (for USA only)

This device complies with Part 15 of the FCC Rules. Operation is subject to the following two conditions: (1)

This device may not cause harmful interference, and (2) this device must accept any interference received, including interference that may cause undesired operation. This equipment has been tested and found to comply with the limits for a Class B digital device. These limits are designed to provide reasonable protection against harmful interference in a residential installation. This equipment generates, uses and can radiate radio frequency energy and, if not installed and used in accordance with the instructions, may cause harmful interference to radio communications. However, there is no guarantee that interference will not occur in a particular installation. If this equipment does cause harmful interference to radio or television reception, which can be determined by turning the equipment off and on, the user is encouraged to try to correct the interference by one or more of the following measures: Reorient or relocate the receiving antenna; Increase the separation between the equipment and receiver; Connect the equipment into an outlet on a circuit different from that to which the receiver is connected; Consult the dealer or an experienced radio/television technician for help.

Compliance with safety standards

- CSA C22.2 No. 0-10 General Requirements – Canadian Electrical code, part II.
- CSA C22.2 No. 281.1-12/UL2231-1 Standard for safety for personnel protection systems for electrical vehicle (EV) supply circuits: General requirements.
- CSA C22.2 No. 281.2-12/UL2231-2 Standard for safety for personnel protection systems for electric vehicle (EV) supply circuits: Particular requirements for protection devices for use in charging systems.
- CSA C22.2 No. 280-13/UL2594 (1st edition) Electric vehicle supply equipment (EVSE).
- CSA C22.2 No. 0.8-12 Safety functions incorporating electronic technology.
- UL1998 Standard for software in programmable components.
- UL991 Standard for Tests for Safety-Related Controls Employing Solid-State Devices.
- NEC 2014 section 625.

Compliance with electric standards

Energy Star® 1.2



FLO Home™

This Limited Warranty (the "Warranty") is provided by Services Flo Inc. of 2800 Louis Lumière, suite 100, Québec (Québec) G1P 0A4 Canada ("FLO").

1. Products. The products covered by this warranty are the FLO Home™ G5 Model and the FLO Home™ X5 Model (hereinafter referred to as the "Products").
2. Limited Warranty. Subject to the warranty exclusions described below, the Products are warranted to (i) be free from defects in material and workmanship and (ii) function in accordance with FLO's technical specifications, including the user manual and any technical specifications provided at the time of purchase and any service communications (the "Product Specifications"). This Warranty only applies to the original purchaser named in original purchase invoice for a Product (the "Purchaser"), may not be transferred and shall only apply to purchasers located in Canada.
3. Warranty Period. The terms and conditions of this Warranty are valid for a period of three (3) years (the "Warranty Period") from date of original purchase by the Purchaser. NO WARRANTIES SHALL APPLY AFTER THE EXPIRATION OF THE APPLICABLE WARRANTY PERIOD.

4. Limited Remedies. If a Product is found by FLO after inspection to be defective or to not function in accordance with the Technical Specifications during the Warranty Period FLO's sole obligation under this Warranty is limited to performing one of the following actions, at FLO's sole and absolute discretion: (1) repairing; (2) replacing or (3) reimbursing the Purchaser for the purchase price of the Product. All replacement or repaired Products are warranted only for the remainder of the original Warranty Period, prolonged only by the period during which the Product was being repaired or replaced. You acknowledge that replacement parts or Products may be remanufactured or reconditioned parts or Products which offer substantially similar functionality. Moreover, all original parts or Products that are replaced shall become FLO's sole and exclusive property. This Warranty covers both parts and labor necessary to repair or replace your eligible Product, but does not include: (a) any on-site labor costs related to removal or reinstallation of the repaired or replacement Product (each of which shall be performed upon your approval and at FLO's then-current service rate and charges), or (b) certain shipping costs described below.

5. Warranty Claim Procedure. Any claim under this Warranty must be made via FLO Customer Service at service@flo.ca to obtain a Return Material Authorization ("RMA") number. As part of the RMA process, you may be asked to provide information regarding the Product such as condition, model/serial number and proof of purchase. FLO will provide a shipping label that will cover mailing costs associated with transporting the Product within Canada only to FLO for evaluation and, if the product is eligible for Warranty, coverage, FLO shall be responsible for costs related to returning the Product to the Purchaser's address designated in its RMA, so long as the address is in Canada. FLO will not cover costs associated with shipping the Product from another country. Additional fees will apply to return the Product to an address in another country. Customer service contact information is at www.flo.ca. Any Product determined to be ineligible for service under this Warranty will be returned, repaired or replaced upon your approval at FLO's then-current service rate and charges.

6. Exclusion of Warranty. FLO's Warranty does not apply to any Product that has been installed, removed, handled, altered, disassembled or repaired by any person other than a service provider authorized by FLO, or where the original Product identification (e.g. serial number, logos, copyright notices and trademarks) has been removed, altered or degraded. The Warranty does not apply to any damage to a Product resulting from: (i) improper site preparation or maintenance or installation, neglect (including damage caused by a vehicle), abuse, vandalism or improper use of the Product including any use that is not in accordance with the applicable Product Specifications; (ii) normal wear and tear, cosmetic or superficial damage, normal aging, scratches, stains, dents or exterior fading; (iii) accident, fire or exposure to any other hazard (including extreme power surge, extreme electromagnetic field or any acts of nature such as earthquakes, tornados, floods, biological infestations, snow, lightning, etc.) or (iv) any other reason beyond FLO's control. OTHER THAN AS SET OUT IN THIS WARRANTY, FLO DISCLAIMS TO THE FULLEST EXTENT PERMITTED BY LAW ALL WARRANTIES AND CONDITIONS OF ANY KIND, WHETHER EXPRESS OR IMPLIED, INCLUDING, BUT NOT LIMITED TO, THE IMPLIED WARRANTIES AND CONDITIONS OF MERCHANTABILITY, FITNESS FOR A PARTICULAR PURPOSE AND NONINFRINGEMENT WITH RESPECT TO THE PRODUCTS. IN NO EVENT SHALL FLO BE LIABLE FOR INDIRECT, SPECIAL, INCIDENTAL, EXEMPLARY, PUNITIVE OR CONSEQUENTIAL DAMAGES OF ANY NATURE (EVEN IF THE ADVENT OF SUCH DAMAGE WAS KNOWN OR COULD HAVE BEEN KNOWN BY FLO) OR ANY CAUSE OF ACTION IN CONNECTION WITH PRODUCT MALFUNCTION OR IN CONNECTION WITH THE PRODUCTS, THEIR PURCHASE, THEIR HANDLING, INSTALLATION OR USE BY THE PURCHASER AND/OR ANY PERSON AUTHORIZED BY THE PURCHASER RESULTING FROM ANY BREACH OF WARRANTY OR CONDITION OR UNDER ANY OTHER LEGAL THEORY, INCLUDING BUT NOT LIMITED TO LOSS OF USE; LOSS OF REVENUE; LOSS OF ACTUAL OR ANTICIPATED PROFITS (INCLUDING LOSS OF PROFITS ON CONTRACTS); LOSS OF THE USE OF MONEY; LOSS OF ANTICIPATED SAVINGS; LOSS OF BUSINESS; LOSS OF OPPORTUNITY; LOSS OF GOODWILL; LOSS OF REPUTATION; LOSS OF OR DAMAGE TO OTHER PROPERTY SUCH AS AN AUTOMOBILE; OR ANY INDIRECT OR CONSEQUENTIAL LOSS OR DAMAGE HOWSOEVER CAUSED INCLUDING THE REPLACEMENT OF EQUIPMENT AND PROPERTY. FLO DOES NOT WARRANT THAT THE PRODUCTS OR RELATED SERVICES WILL BE ERROR-FREE OR WILL OPERATE WITHOUT INTERRUPTION. IN NO EVENT SHALL FLO'S AGGREGATE LIABILITY FOR ALL CLAIMS RELATED TO THE PRODUCTS AND RELATED SERVICES TO YOU EXCEED THE PURCHASE PRICE YOU PAID FOR THE PRODUCTS. THE REMEDIES IN THIS WARRANTY ARE YOUR SOLE AND EXCLUSIVE REMEDIES. SOME JURISDICTIONS DO NOT ALLOW THE EXCLUSION OR LIMITATION OF CERTAIN WARRANTIES, SO THE ABOVE LIMITATION MAY NOT APPLY TO YOU. No Product reseller, agent or employee is authorized to make any modification, extension or addition to this Warranty. If any term is held to be illegal or unenforceable, the remaining terms shall not be affected or impaired. This Warranty is governed by and construed under the laws of the province in which the Product purchase took place.

© 2023. Services FLO Inc. All rights reserved.

flo®

FLO Maison modèle G5

Guide d'installation

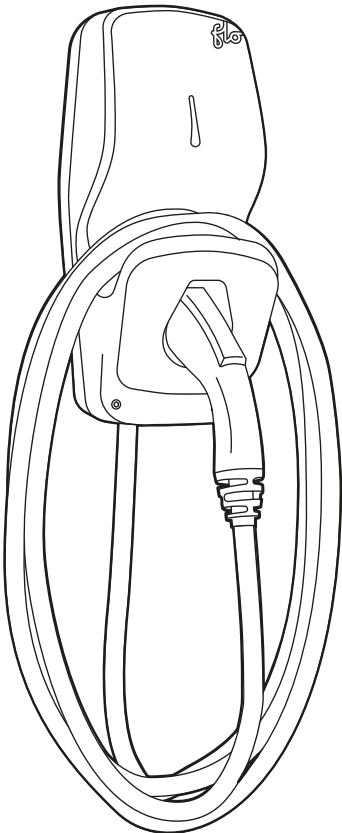


Table des matières

Assistance	2
Consignes de sécurité	20
Planification de votre installation	21
Contenu de la boîte	22
Installation de la borne	23
Réglage de la limite de courant	26
Indicateurs lumineux	28
Numéro de série de la borne de recharge	29
Garantie - CA	30

Spécifications techniques

Boîtier : 100% aluminium agréé de type 4X conçu pour une installation extérieure ou intérieure

Finition : Fini haute résistance gris anthracite

Tension : 208 - 240 V @ 60 Hz

Courant de sortie : 30 A

Puissance de sortie maximale : 7,2 kW @ 240 V ou 6,2 kW @ 208 V

Câble de recharge : 7,62 m (25 pieds) ultra souple

Connecteur de recharge : SAE J1772 conçu pour plus de 10 000 cycles de recharge

Dispositifs de sûreté : Disjoncteur de défaut de fuite à la terre (DDFT) intégré (20 mA, 3 réenclenchements espacés de 15 minutes)

Température de fonctionnement : -40 °C à 50 °C (-40 °F à 122 °F)

Poids avec câble, connecteur et plaque : 11,18 kg (24,65 lbs)

Interface de communication : Aucune

Le style du connecteur peut varier

Bornier: taille maximale 6AWG

Consignes de sécurité

INSTRUCTIONS RELATIVES AUX RISQUES D'INCENDIE OU DE CHOC ÉLECTRIQUE CONSERVER CES INSTRUCTIONS

AVERTISSEMENT : Lors de l'utilisation d'appareils électriques, des précautions de base doivent toujours être respectées. Ce manuel contient des instructions importantes qui doivent être suivies lors de l'installation, l'exploitation et la maintenance de l'appareil. **Veillez lire ce guide attentivement avant d'entreprendre l'installation de la borne de recharge.**

1. **IMPORTANT** - Pour réduire le risque d'incendie, connecter uniquement à un circuit de dérivation fourni avec une protection de surintensité de 40 ampères maximum conformément avec le Code canadien de l'électricité (CSA C22.1-12) et le Code national de l'électricité (ANSI / NFPA 70).
2. Cette borne de recharge a été conçue pour une fixation au mur ou sur poteau.
3. Vous devez vous assurer que les types de surface de montage pour le mur ou le poteau sont assez fortes pour supporter le poids de la borne et que les ancrages utilisés sont compatibles avec le type de surface.
4. Assurez-vous que l'espace où vous installerez la borne ne comporte aucune canalisation, installation électrique ou installation électrique souterraine, auquel cas vous risqueriez de vous infliger de graves blessures.
5. Raccordez l'alimentation électrique de la borne de recharge avec des conducteurs de cuivre de calibre 6 AWG à 8 AWG conformes à une utilisation d'au moins 75 °C.
6. Ce produit doit être raccordé à un réseau de câblage mis à la terre, métallique et permanent, ou un conducteur de mise à la terre de l'appareil doit être ajouté au circuit et raccordé à la borne de terre de l'appareil ou au conducteur d'alimentation de l'appareil, par un électricien certifié.
7. Consulter un contracteur agréé, un électricien certifié ou un installateur formé pour assurer la conformité au code local du bâtiment, à la réglementation locale, aux normes de sécurité et aux conditions climatiques.
8. Toute modification d'une pièce de la borne de recharge en annulera la garantie.
9. Les pièces peuvent présenter des arêtes vives, les manipuler avec attention. Utiliser des lunettes et des gants de sécurité lors du déballage et au cours de l'installation.
10. Les câbles d'alimentation de la borne de recharge doivent rencontrer les exigences minimales de FT2 pour la flammabilité.
11. Le connecteur de réduction de tension du câble d'alimentation, le conduit ou les raccords et garnitures du câble armé :
 - A) doivent être agréés pour le Canada et les États-Unis;
 - B) doivent être étanches à l'eau (type 4X);
 - C) doivent être adaptés au diamètre extérieur du câble choisi et adaptés au montage dans une ouverture d'un diamètre de 28,17 mm (1,109 pcs) (pour la connexion à travers l'ouverture prévue pour l'insertion du câble).

Consignes générales de sécurité

L'utilisation de la borne de recharge en présence d'enfants nécessite une constante supervision. Ne jamais mettre les doigts dans la connexion du véhicule électrique.

Ne pas utiliser la borne si le cordon souple ou le câble VÉ est effiloché, si l'isolant est endommagé, ou s'il présente tout autre signe d'endommagement.

Ne pas utiliser la borne si le boîtier ou la prise VÉ est endommagé, fissuré, ouvert, ou s'il présente tout autre signe d'endommagement.

Cette borne de recharge a été conçue pour une utilisation avec véhicules électriques munis d'un connecteur SAE J1772.

Cette borne de recharge doit être utilisée pour la recharge de véhicules ne demandant pas un environnement ventilé lors de la recharge.

Assurez-vous de toujours déconnecter l'alimentation électrique de la borne de recharge avant d'en faire l'entretien. N'insérez jamais votre doigt dans la prise électrique du véhicule.

Planification de votre installation

ÉLÉMENTS IMPORTANTS À CONSIDÉRER LORS DE L'INSTALLATION

La borne doit être installée par un électricien certifié.

La borne contient une protection intégrée contre les surtensions et les fuites de courant vers la terre.

Toute modification d'une pièce de la borne de recharge en annulera la garantie.

Le raccordement de votre nouvelle borne de recharge nécessite :

- Une alimentation de type « monophasée » 120/240 VAC (figure 1) ou « triphasée » 120/208 VAC (figure 2)
- Un raccordement avec des câbles en cuivre de calibre 6 à 8 AWG
- Une protection par un disjoncteur deux pôles de 40 A
- 2 phases et une connexion à la terre avec 120 VAC entre chaque phase et la terre

À NOTER : le neutre n'est pas requis.

Puissance de sortie maximale : 7,2 kW @ 240 V ou 6,2 kW @ 208 V

Figure 1

**Alimentation de type
« monophasée »
120/240 VAC**

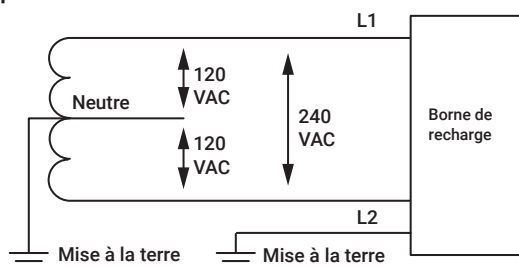
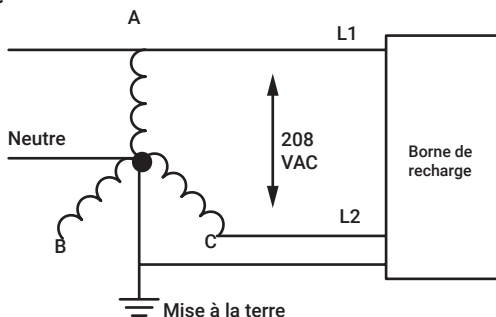


Figure 2

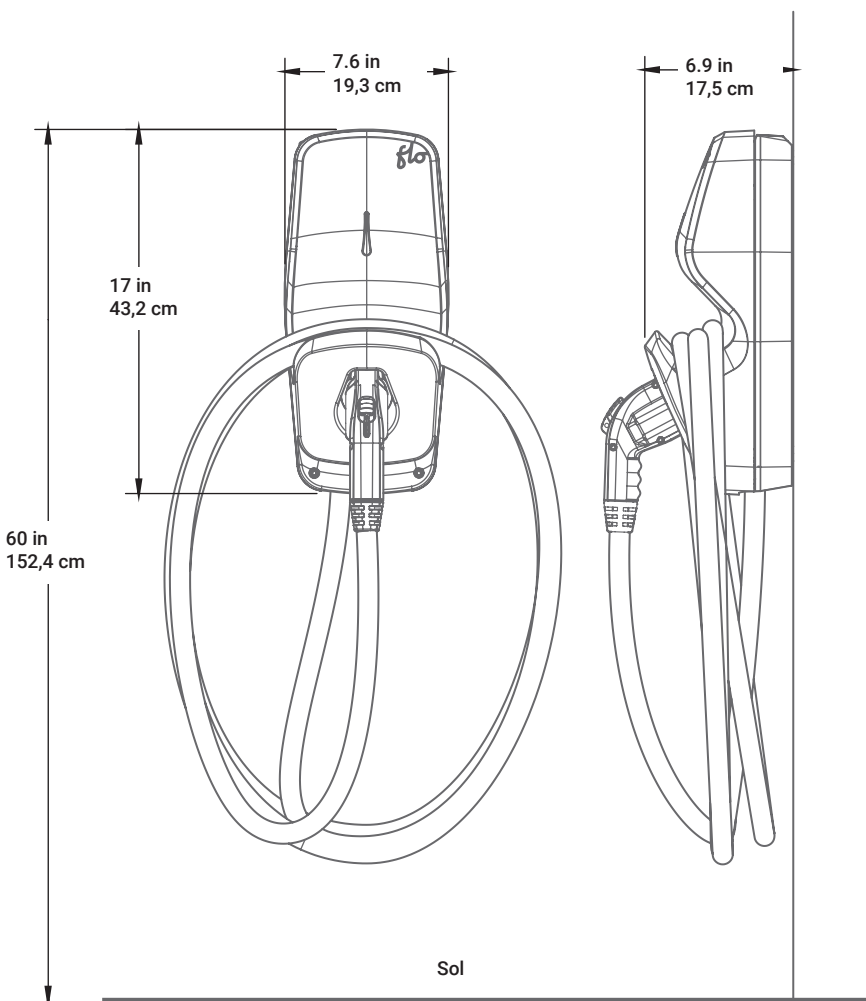
**Alimentation de type
« triphasée »
120/208 VAC**



Contenu de la boîte

- 1 Borne de recharge
- 2 Câble et connecteur de recharge
- 3 Plaque de montage

Hauteur recommandée afin de faciliter la manipulation du connecteur, en plus d'éviter au câble de toucher le sol.

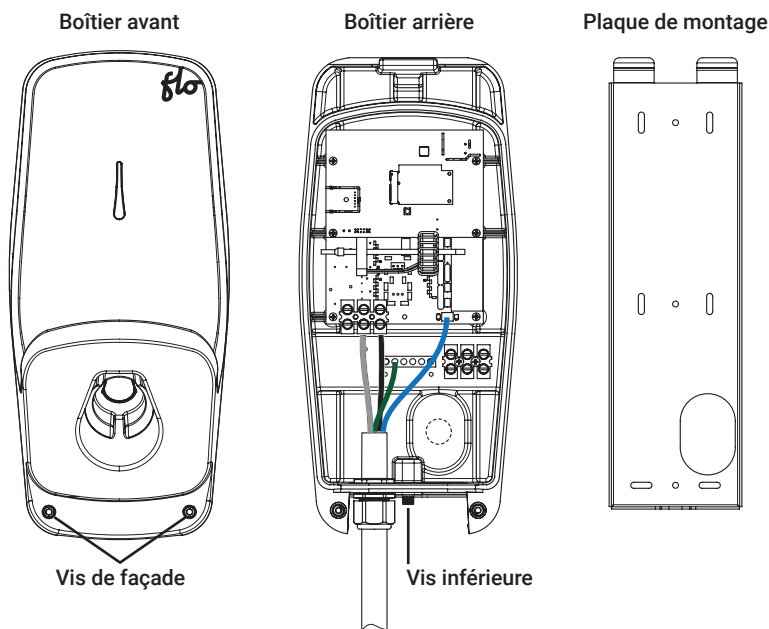


Installation de la borne

Conçue pour des maisons unifamiliales

ATTENTION: Votre borne doit être installée par un électricien certifié.

- 1** Désassembler le boîtier avant en enlevant les 2 vis de façade puis séparer la plaque de montage en dévissant la vis inférieure.



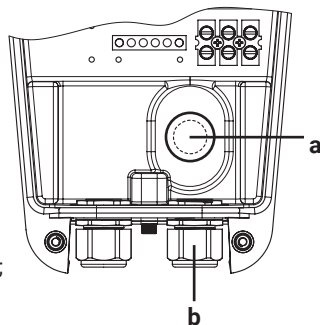
NOTE

L'entrée du câble d'alimentation peut arriver de l'arrière (a) ou sous la borne (b) :

- Ouvertures prépercées de 3/4" (a) et (b)
- Retirer un seul bouchon
- Serre-fils non inclus

Le connecteur de réduction de tension du câble d'alimentation, le conduit ou les raccords et garnitures du câble armé :

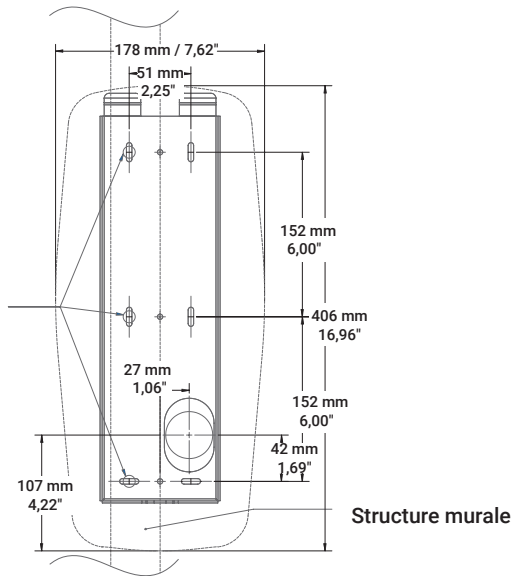
- A) doivent être agréés pour le Canada et les États-Unis;
- B) doivent être étanches à l'eau (**type 4X**);
- C) doivent être adaptés au diamètre extérieur du câble choisi et adaptés au montage dans une ouverture d'un diamètre de 28,17 mm (1,109 po) (pour la connexion à travers l'ouverture prévue pour l'insertion du câble).



- 2** Utiliser la plaque de montage comme gabarit de perçage après avoir déterminé l'entrée à utiliser, soit à l'arrière ou sous la borne.

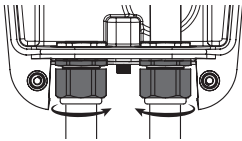
- 3** Fixer la plaque de montage solidement à une surface stable en utilisant un minimum de 3 vis d'ancrage.

Vis d'ancrage
Minimum de 3
Maximum de 6



- 4** Insérer les conducteurs et fixer le serre-fils au boîtier arrière de façon à ce que les conducteurs soient assez longs pour atteindre les borniers.

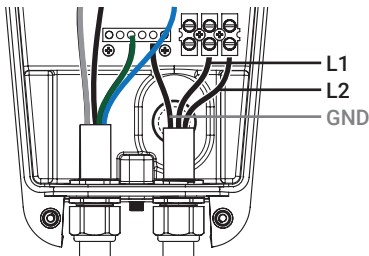
- 5** Serrez l'écrou du connecteur. Assurez-vous que le fil est sécurisé.



- 6** Fixer le boîtier arrière de la borne à la plaque de montage.

- 7** Visser la vis inférieure pour sécuriser le montage.

- 8** Connecter le fil de mise à la terre (GND) ainsi que les deux fils d'alimentation (L1 et L2). Assurez-vous que le fil est sécurisé.



Couple nominal des fils :

L1-L2 : 6 AWG = 16 lb-po

8 AWG = 16 lb-po

GND : 6 AWG = 45 lb-po

8 AWG = 40 lb-po

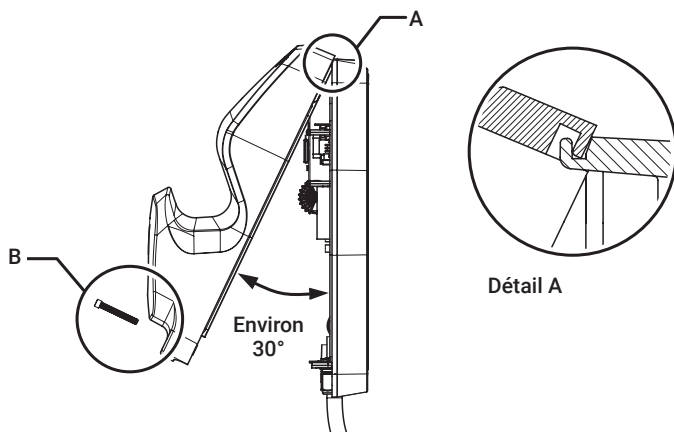
ATTENTION :

TOUJOURS utiliser un tournevis manuel;
NE PAS utiliser de tournevis à percussion
(impact driver) pour les vis de la borne,
auquel cas la garantie ne sera plus valide.

9 Installer le boîtier avant de la borne de recharge :

A) Accrocher le haut en présentant le capot à un angle d'environ 30 degrés, puis pivoter à la verticale sans forcer.

B) Serrer les 2 vis de façade avec un couple de serrage nominal de 55 lb-po.



10 Activer le disjoncteur du panneau électrique.

Réglage de la limite de courant

Par défaut, la FLO Maison G5 est réglée à sa puissance maximale (en usine). Si l'installation électrique de votre maison ne permet pas le réglage du courant de la borne de recharge à sa puissance maximale (ou pour prévenir toute surcharge potentielle), elle peut être réduite à l'aide du limiteur de courant.

ATTENTION: Votre borne doit être installée par un électricien certifié.

Procédure

1 Éteindre (OFF) la borne de recharge :

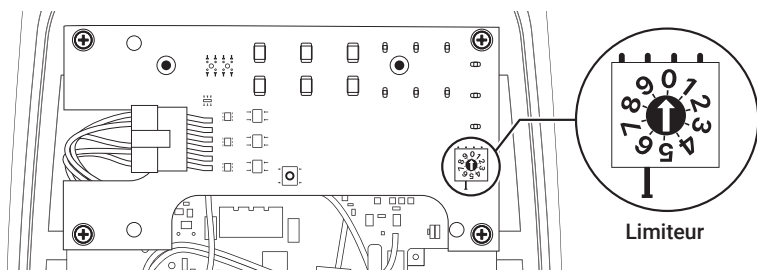
A) Dans le panneau électrique, mettre le disjoncteur hors tension (OFF).

B) Confirmer que l'Indicateur lumineux de la borne de recharge est éteint (OFF).

NOTE : Avant de manipuler la borne de recharge, confirmez à l'aide d'un voltmètre qu'il n'y a pas de tension sur le bornier d'entrée. Gardez à l'esprit qu'il peut y avoir plus d'un câble sous tension.

2 Retirer le boîtier (Voir p. 25).

3 Localiser le limiteur de courant.



- 4** À l'aide d'un tournevis à tête plate, tournez doucement le limiteur à la position souhaitée. (Voir le tableau ci-dessous).

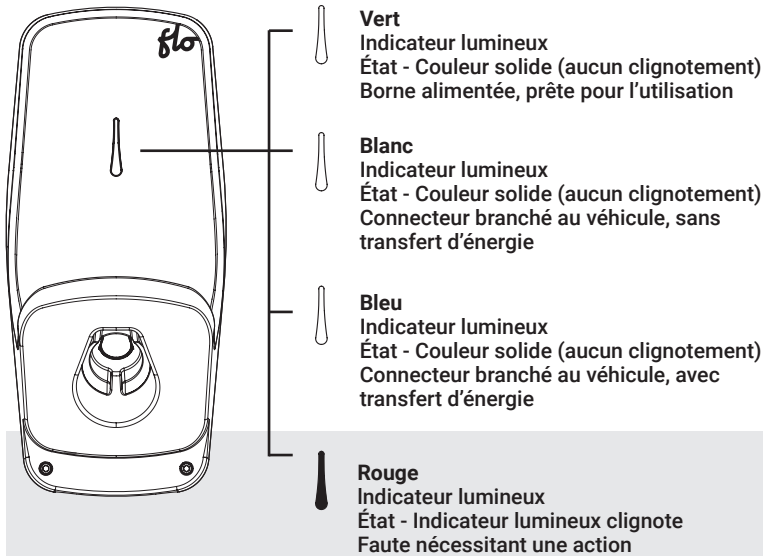
Position du commutateur du limiteur de courant	Puissance de la borne G5 (A)	Disjoncteur (A) * dans le panneau électrique
0	30	40
1	27	35
2	24	30
3	20	25
4	16	20
5	12	15
6	8	10
7	6	10
8	Non utilisé	Non utilisé
9	Non utilisé	Non utilisé

- 5** Replacer le boîtier avant de la borne de recharge.

- 6** Réalimenter la borne de recharge (ON).

États de la borne

Indicateurs lumineux

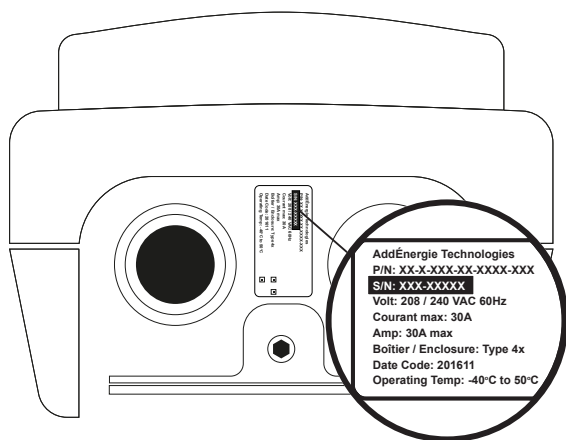
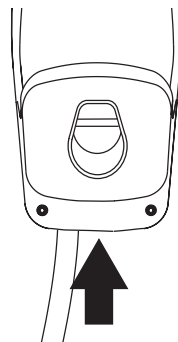


- | | |
|---------|---|
| 1 fois | Aucun raccordement à la terre
Éteignez la station et vérifiez l'installation électrique |
| 2 fois | Défaut de mise à la terre
La station tentera de redémarrer automatiquement la session de charge après 15 minutes |
| 3 fois | Ventilation nécessaire au véhicule
Contacter notre support technique |
| 4 fois | Erreur de communication avec le véhicule
Contacter notre support technique |
| 5 fois | Erreur interne
Éteignez la station puis la remettre en marche et si le problème persiste, contactez notre support technique |
| 6 fois | Maximum de défaut de mise à la terre pendant une session de charge atteint
Éteignez la station puis la remettre en marche et si le problème persiste, contactez notre support technique |
| 7+ fois | Erreur interne
Éteignez la station puis la remettre en marche et si le problème persiste, contactez notre support technique |

Numéro de série de la borne de recharge

Lorsque vous contactez le service à la clientèle ou l'assistance technique, vous devrez fournir le numéro de série de votre borne de recharge. Si vous ne connaissez pas votre numéro de série, vous pouvez le trouver au bas de la borne juste à côté du câble du pistolet.

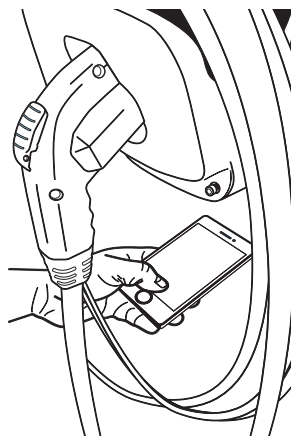
Si vous avez des problèmes à localiser le numéro de série, suivez la procédure ci-dessous.



Vue de dessous de la Borne FLO Maison

Si vous avez un téléphone intelligent

- 1 Ouvrez l'application « caméra » et appuyez sur l'icône « inverser la camera ».
- 2 Tenez votre téléphone intelligent à un angle de 20° sous la borne de recharge.
- 3 Cadrer l'écran du téléphone avec l'autocollant du numéro de série.
- 4 Lorsque vous voyez l'autocollant prendre la photo.



Garantie CA Conformité



Ce dispositif est conforme aux normes CNR exemptes de licence du Ministère canadien de l'Industrie. Son utilisation est soumise aux deux conditions suivantes :

(1) le dispositif concerné ne doit pas causer d'interférences et (2) il doit accepter toute interférence reçue, y compris les interférences risquant d'engendrer un fonctionnement indésirable.

Conformité aux normes de sécurité :

-CSA C22.2 No. 0-10 Exigences générales – Code canadien de l'électricité, partie II.

-CSA C22.2 No. 281.1-12/UL2231-1 Norme de sécurité sur les systèmes de protection du personnel pour les circuits d'alimentation des véhicules électriques (VÉ) : exigences générales.

-CSA C22.2 No. 281.2-12/UL2231-2 Norme de sécurité sur les systèmes de protection du personnel

pour les circuits d'alimentation des véhicules électriques (VÉ) : exigences particulières visant les dispositifs de protection utilisés dans les systèmes de charge.

-CSA C22.2 No. 280-13/UL2594 (1ère édition) Norme visant le matériel d'alimentation électrique pour véhicules électriques (EVSE).

-CSA C22.2 No. 0.8-12 Fonctions de sécurité intégrant des technologie électronique.

-UL1998 Norme pour logiciel à l'intérieur de composants programmables.

-UL991 Norme pour les essais de contrôles liés à la sécurité utilisant des dispositifs à semi-conducteurs.

-NEC 2014 section 625.

Conformité aux normes électriques

Energy Star® 1.2

Garantie FLO® Maison

cette garantie limitée (la « Garantie ») est offerte par Services FLO Inc., située au 2800 Louis Lumière, suite 100, Québec (Québec) G1P 0A4 Canada (« FLO »).

1. Produits. Les produits couverts par la Garantie sont « FLO Maison Modèle G5TM » et « FLO Maison Modèle X5TM » (ci-après nommés les « Produits »).

2. Garantie limitée. Sujet aux exclusions de garantie décrites ci-dessous, FLO garantit que ses Produits : (i) sont exempts de de tout défaut de matériel et de fabrication; et (ii) fonctionnent selon les spécifications techniques de FLO, incluant les manuels d'utilisation, les spécifications techniques remises au moment de l'achat, et toute avis de service (les « Spécifications de Produit »). La Garantie s'applique uniquement à l'acheteur original nommé à la facture d'achat originale pour un Produit (l'« Acheteur »), ne peut être transférée et s'applique uniquement aux consommateurs canadiens.

3. Période de Garantie. Les termes et conditions de la Garantie sont valables pour une période de trois (3) ans (la "Période de garantie") à compter de la date de l'achat original du Produit par l'Acheteur. AUCUNE GARANTIE NE S'APPLIQUE APRÈS LA FIN DE LA PÉRIODE DE GARANTIE APPLICABLE.

4. Recours limités. Pour tout Produit qui ne fonctionne pas selon les Spécifications de Produit ou jugé défectueux par FLO suite à son inspection durant la Période de garantie, l'unique obligation de FLO sous cette Garantie est d'effectuer l'une des activités suivantes, à la seule discrétion de FLO : (1) la réparation;

(2) le remplacement;

(3) le remboursement à l'Acheteur du prix d'achat du Produit. Tout Produit ainsi remplacé ou réparé ne sera garanti que pour la période à échoir de la Période de garantie initiale, en ajoutant la durée pendant laquelle le produit était en remplacement ou en réparation. Vous reconnaissez que les pièces de

remplacement ou les Produits puissent être réusinés ou reconditionnés et offriront des fonctionnalités similaires. De plus, toutes les pièces originales ou Produits ainsi remplacés deviendront la propriété exclusive de FLO. La Garantie couvre les pièces et la main d'oeuvre nécessaires à la réparation ou le remplacement de votre Produit éligible mais ne couvre pas : (a) toute dépense de main d'oeuvre relative au retrait et/ou la réinstallation du Produit réparé ou remplacé sur le site (devant être faite avec votre consentement au tarif de FLO généralement en vigueur à ce moment); ou (b) certains coûts de transport décrits ci-dessous.

5. Procédure de réclamation de la Garantie. Toute réclamation en application de la Garantie doit être soumise au service à la clientèle de FLO à service@flo.ca qui émettra un numéro d'autorisation de retour de merchandise (« ARM »). Dans le cadre de la procédure de retour de ARM, vous pourriez être appelé à fournir de l'information relative au Produit, telle que son état, modèle/numéro de série et votre preuve d'achat. FLO fournira une étiquette d'expédition qui couvrira les frais de transport du Produit au Canada seulement jusqu'à FLO pour fins d'évaluation. Si le Produit est éligible à la couverture offerte par la Garantie, FLO assumera également les coûts associés au transport pour le retour du Produit chez l'Acheteur, à l'adresse indiquée à l'ARM, si cette adresse est située au Canada. FLO n'assumera pas les coûts associés au transport du Produit en provenance d'un autre pays. Des frais additionnels

s'appliqueront au retour d'un Produit à une adresse dans un autre pays. Les coordonnées du service à la clientèle est contenu à www.flo.ca. Tout Produit qui sera jugé inéligible au service offert par la Garantie sera retourné, réparé ou remplacé avec votre consentement au tarif de FLO généralement en vigueur à ce moment.

6. Exclusions de Garantie. La Garantie ne s'applique pas à tout Produit qui a été installé, retiré, manipulé, modifié, altéré, démonté ou réparé par une personne autre qu'un fournisseur de services agréé par FLO, ou si l'identifiant original du Produit (i.e. le numéro de série, les logos, notices de droit d'auteur ou marques de commerce) a été retiré, modifié ou dégradé. La Garantie ne s'applique pas aux dommages aux Produits causés par : (i) une mauvaise préparation du site ou l'entretien inadéquat du site, une mauvaise installation, la négligence (incluant le dommage causé par un véhicule), abus, vandalisme ou une mauvaise utilisation du Produit, incluant tout usage qui ne respecte pas les Spécifications de Produit; (ii) l'usure normale, les dommages cosmétiques ou superficiels, le passage du temps, les égratignures, taches, bosses ou la décoloration extérieure; (iii) un accident, un incendie ou tout autre risque de dommages (incluant des surtensions extrêmes, champs magnétiques extrêmes ou des cas de force majeure tels que tremblements de terre, tornades, inondations, infestations biologiques, neige, foudre, etc.); ou (iv)

toute autre raison hors du contrôle de FLO.

AUTREMENT QUE PRÉVU À LA GARANTIE, FLO SE DÉCHARGE, À LA LIMITE DE CE QUI EST PRÉVU À LA LOI, DE TOUTE REPRÉSENTATION ET GARANTIE, DE QUELQUE NATURE QUE CE SOIT, EXPRESSE OU IMPLICITE, INCLUANT, SANS EN LIMITER LA PORTÉE, LES REPRÉSENTATIONS ET GARANTIES IMPLICITES RELATIVES À LA QUALITÉ MARCHANDE OU L'ADAPTABILITÉ À DES FINS PARTICULIÈRES, À UN USAGE PARTICULIER OU À LA NON-VIOLATION DE DROITS PAR LES PRODUITS. EN AUCUN CAS, FLO NE POURRA ÊTRE TENUE RESPONSABLE DE DOMMAGES INDIRECTS, SPÉCIAUX, FORFUIITS, EXAMPLAIRES, PUNITIFS OU CONSÉCUTIFS DE QUELQUE NATURE QUE CE SOIT (MÊME SI LA POSSIBILITÉ DE L'EXISTANCE DE CE DOMMAGE ÉTAIT CONNUE OU AURAIT DUE ÊTRE CONNUE DE FLO) OU TOUTE CAUSE D'ACTION RELATIVE À LA DÉFAILLANCE DU PRODUIT OU RELATIVE AU PRODUIT, SON ACHAT

SA MANUTENTION, SON INSTALLATION OU SON USAGE PAR L'ACHETEUR ET/OU TOUTE PERSONNE AUTORISÉE PAR L'ACHETEUR RÉSULTANT DE TOUT DÉFAUT AUX REPRÉSENTATIONS ET GARANTIES OU SOUS TOUTE AUTRE PRINCIPE JURIDIQUE, INCLUANT SANS EN LIMITER LA PORTÉE, PERTE D'USAGE; PERTE DE REVENU; PERTE DE PROFITS RÉELS OU ANTICIPÉS (INCLUANT PERTE DE PROFITS CONTRACTUELS), PERTE DE L'USAGE D'ARGENT; PERTE D'ÉCONOMIES ENVISAGÉES; PERTE D'AFFAIRES; PERTE D'OPPORTUNITÉS; PERTE DE GOODWILL; PERTE DE RÉPUTATION; PERTE OU DOMMAGE À UN AUTRE BIEN TEL QU'UNE AUTOMOBILE; OU TOUTE PERTE OU TOUT DOMMAGE INDIRECTS OU CONSÉCUTIFS INDÉPENDAMMENT DE COMMENT ILS ONT ÉTÉ CAUSÉS, INCLUANT LE REMPLACEMENT DE BIENS MEUBLES ET IMMEUBLES. FLO NE GARANTIT PAS QUE LES PRODUITS ET LES SERVICES RELIÉS SERONT LIBRES D'ERREUR OU OPÉRERONT SANS INTERRUPTION. EN AUCUN CAS, LA RESPONSABILITÉ TOTALE DE FLO POUR TOUTES LES RÉCLAMATIONS RELATIVES AUX PRODUITS ET SERVICES Y RELIÉS VOUS AYANT ÉTÉ RENDUS, NE POURRA EXCÉDER LE PRIX D'ACHAT QUE VOUS AVEZ PAYÉ POUR LES PRODUITS. LES RECOURS PRÉVUS À CETTE GARANTIE SONT VOS SEULS ET UNIQUES RECOURS. CERTAINES JURIDICTIONS NE PERMETTENT PAS L'EXCLUSION OU LA LIMITATION DE CERTAINES RESPONSABILITÉS, ET LES LIMITES DÉCRITES CI-DESSUS POURRAIENT NE PAS S'APPLIQUER À VOUS. Aucun revendeur, agent ou employé n'est autorisé à faire de modification, d'extension ou d'ajout à cette Garantie. Si une disposition est déclarée illégale ou inapplicable, les autres dispositions ne seront pas affectées ou invalidées. La Garantie est soumise et interprétée en vertu des lois de la province dans laquelle l'achat de Produit a été effectué.

© 2019–2023. Services FLO Inc. Tous droits réservés.

flo.com



✉ info@flo.com
☎ 1-855-543-8356

flo.com

Nom du document : FLO_FLO Home G5_Installation Guide V.3.0.4_2023-10-13_CA_US_BI

Identifiant du document : PRFM0022

FLO CA: © 2023 Services FLO inc. tous droits réservés . FLO, le logo FLO, LEAD THE WAY, et TRACEZ LA VOIE sont des marques de commerce de Services FLO inc. ADDÉNERGIE est une marque de commerce de AddÉnergie Technologies Inc. utilisée sous licence par Services FLO inc.

FLO US: © 2023 FLO Services USA Inc. tous droits réservés . FLO, le logo FLO, LEAD THE WAY, et TRACEZ LA VOIE sont des marques de commerce de Services FLO inc. utilisées sous licence par FLO Services USA Inc. ADDÉNERGIE est une marque de commerce de AddÉnergie Technologies Inc. utilisée sous licence par FLO Services USA Inc.

ALL Documents: Ce document est fourni comme un guide d'instructions générales. Toutes les photos sont présentées à des fins d'illustration uniquement. Les stations réelles peuvent varier en taille ou en raison d'améliorations apportées au produit, auquel cas des étapes supplémentaires peuvent être nécessaires. AddÉnergie Technologies Inc. et ses filiales ("AddÉnergie") se réservent le droit de modifier ce document ainsi que toute offre et spécification de produit à tout moment sans préavis et AddÉnergie ne garantit pas que cette version du document est à jour. Il est de votre responsabilité de vous conformer à toutes les lois applicables, y compris celles relatives à l'accessibilité et au zonage, et de faire preuve de diligence raisonnable lors de l'installation ou de l'utilisation de ce produit. Une installation ou une utilisation négligente peut entraîner des blessures ou des dommages au produit. Dans toute la mesure permise par les lois applicables, AddÉnergie décline toute responsabilité en cas de blessures ou de dommages matériels résultant de l'installation ou de l'utilisation de ce produit.

Document name: Document ID: FLO_ADD_SmartDC_SpecSheet_V.2.0.3_2022-03-19_US_EN

Document ID: PRFM0022

FLO CA: © 2023 Services FLO Inc., All rights reserved. FLO, the FLO logo, LEAD THE WAY, and TRACEZ LA VOIE are trademarks of Services FLO Inc. ADDÉNERGIE is a trademark of AddÉnergie Technologies Inc. used under license by Services FLO Inc.

FLO US: © 2023 FLO Services USA Inc., All rights reserved. FLO, the FLO logo, LEAD THE WAY, and TRACEZ LA VOIE are trademarks of Services FLO Inc. used under license by FLO Services USA Inc. ADDÉNERGIE is a trademark of AddÉnergie Technologies Inc. used under license by FLO Services USA Inc.

ALL Documents: This document is provided as a general instruction guide. All pictures shown are for illustration purposes only. Actual stations may vary in size or due to product enhancements, in which case additional steps may be required. AddÉnergie Technologies Inc. and its subsidiaries ("AddÉnergie") reserve the right to alter this document and any product offerings and specifications at any time without notice and AddÉnergie does not guarantee that that this version of the document is current. It is your responsibility to comply with all applicable laws, including those related to accessibility, zoning, and to exercise due diligence when conducting an installation or using this product. Careless installation or use may result in injury or product damage. To fullest extent permitted by applicable laws, AddÉnergie disclaims any liability for personal injury or property damage resulting from the installation or use of this product.